

DM-CF7000 Series

Three Piece Sanitary Direct Mount Valves

Features & Benefits

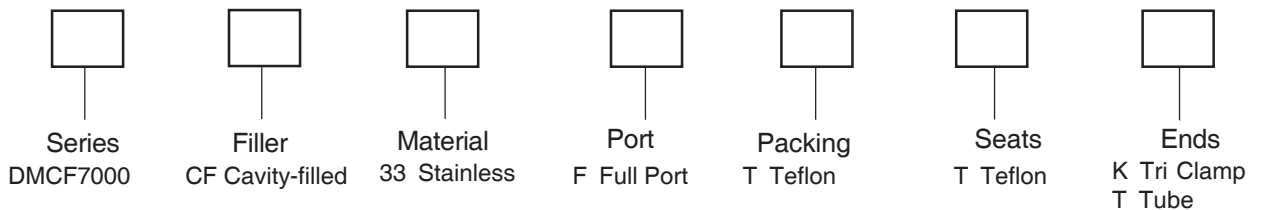
- Adjustable stem packing
- Cavity filled seats
- With ISO 5211 direct mount
- Body & end caps quality investment casting
- Available in stainless steel or carbon steel
- Blow-out proof stem design
- 100% air tested under water at 80-100 psi
- Working pressure: 800 psi WOG
- Temperature range: -20°F to 450°F
- With locking function
- End type T-Clamp
- Silicon free
- Oxygen clean



Options

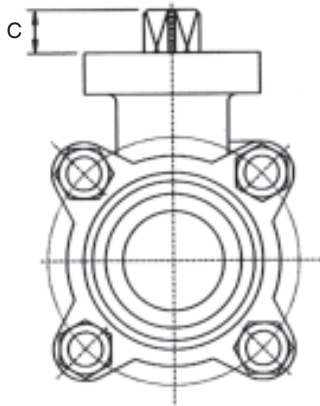
- Non-cavity filled seats

Ordering Schematic

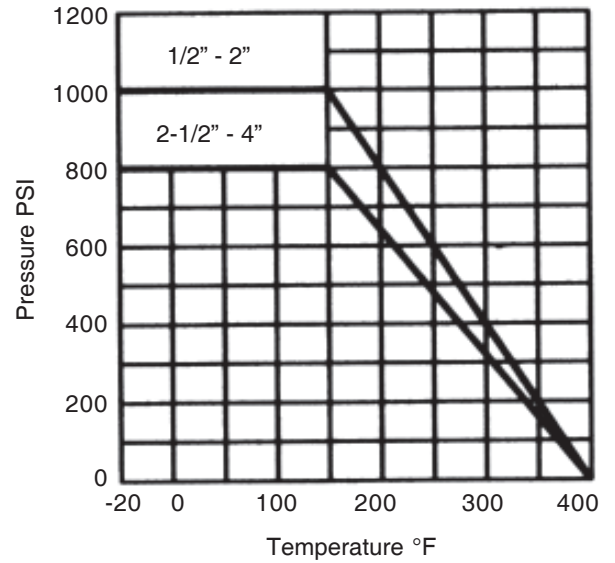


Dimensions

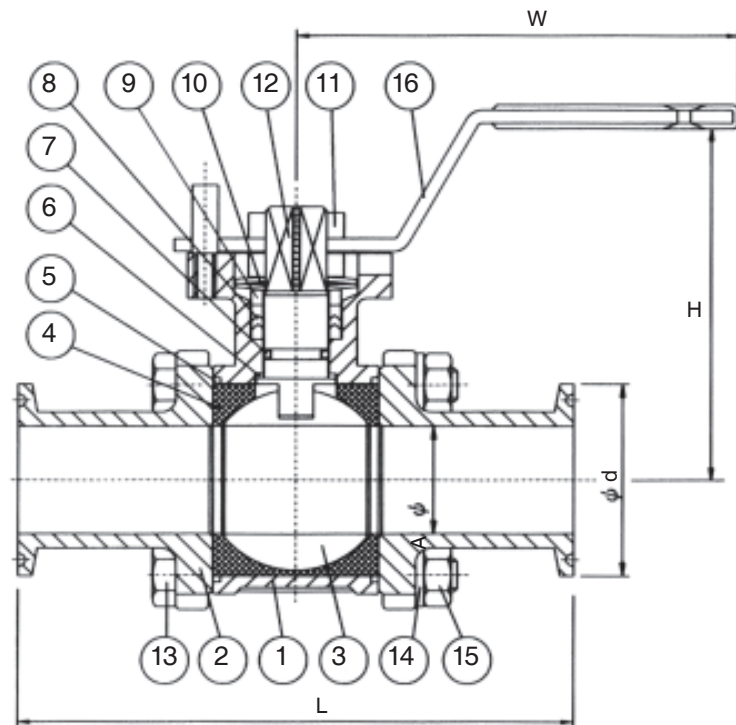
Size	ISO-5211	W	H	C	R	L	A	d
1/2"	F03/F04	4.4	3.0	0.35	0.35	4.3	0.37	1.0
3/4"	F03/F04	5.2	3.1	0.35	0.35	4.7	0.63	1.0
1"	F04/F05	5.2	3.3	0.43	0.43	4.9	0.87	2.0
1-1/2"	F05/F07	7.3	4.1	0.55	0.55	5.6	1.38	2.0
2"	F05/F07	8.7	4.4	0.55	0.55	6.4	1.87	2.5
2-1/2"	F07/F10	9.8	5.2	0.67	0.67	7.8	2.37	3.1
3"	F07/F10	9.8	5.6	0.67	0.67	9.0	2.87	3.6
4"	F10/F12	13.1	6.8	0.87	0.87	9.6	3.83	4.7



Temperature Chart



Material List



Item	Part Name	Materials	
1	Body	A351 Gr. CF8M	A216 Gr. WCB
2	End Cap	A351 Gr. CF8M	A216 Gr. WCB
3	Ball	SS 316	SS 316
4	Seats	PTFE	PTFE
5	Gasket	PTFE	PTFE
6	Thrust Washer	PTFE	PTFE
7	O-Ring	Viton	Viton
8	Stem Packing	PTFE	PTFE
9	Ring	SS 304	SS 304
10	Bevel Washer	SS 301	SS 301
11	Nut	SS 304	SS 304
12	Stem	SS 316	SS 316
13	Bolts	SS 304	SS 304
14	Bolt Washer	SS 304	SS 304
15	Bolt Nut	SS 304	SS 304
16	Handle	Plastic	Plastic