

DM2600 Series

Direct Mount Top Entry Flanged Ball Valve

Features & Benefits

- Patented design - when valve is in "open" position, it's simple to take the bonnet out with the ball and seat at one time without using any tools
- Available in stainless steel or carbon steel
- Body and end are investment cast
- Blow-out proof stem design
- 100% air tested under water at 100 psi
- Working pressure ANSI 150
- Temperature range: -40°F to +450°F
- ISO 5211 mounting pad
- End cap type: flanged end (ANSI 150)
- Flange dimension: face-to-face ANSI B16.10; flange connection ANSI B16.50
- Silicone free
- Oxygen cleaned option
- Top entry ball valve is convenient for in-line repair
- Top entry ball valve simplifies the task of maintenance and decreases time spent on emergency repair



Size	Breakway Torque (in-lb)	Cv	Weight Lbs
1/2"	50	32	9
3/4"	75	54	10
1"	100	105	12
1-1/2"	185	275	18
2"	300	460	25
2-1/2"	450	780	36
3"	750	1330	50
4"	1100	2420	69
6"	3500	5400	189

Ordering Schematic



Series
DM26



Material Body
23 Carbon Steel
33 Stainless Steel
44 Alloy 20
77 Hastalloy C
99 Duplex



Port
F Full Port
R Red. Port



Packing
C Carbon/Teflon
G Graphite
T Teflon



Seat
C Carbon
T Teflon
TM Super Teflon
TC Carbon-Super Teflon
M Metal Seated



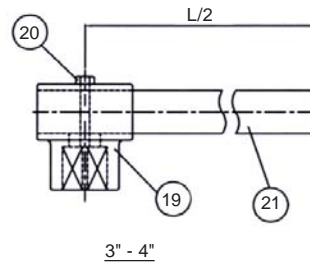
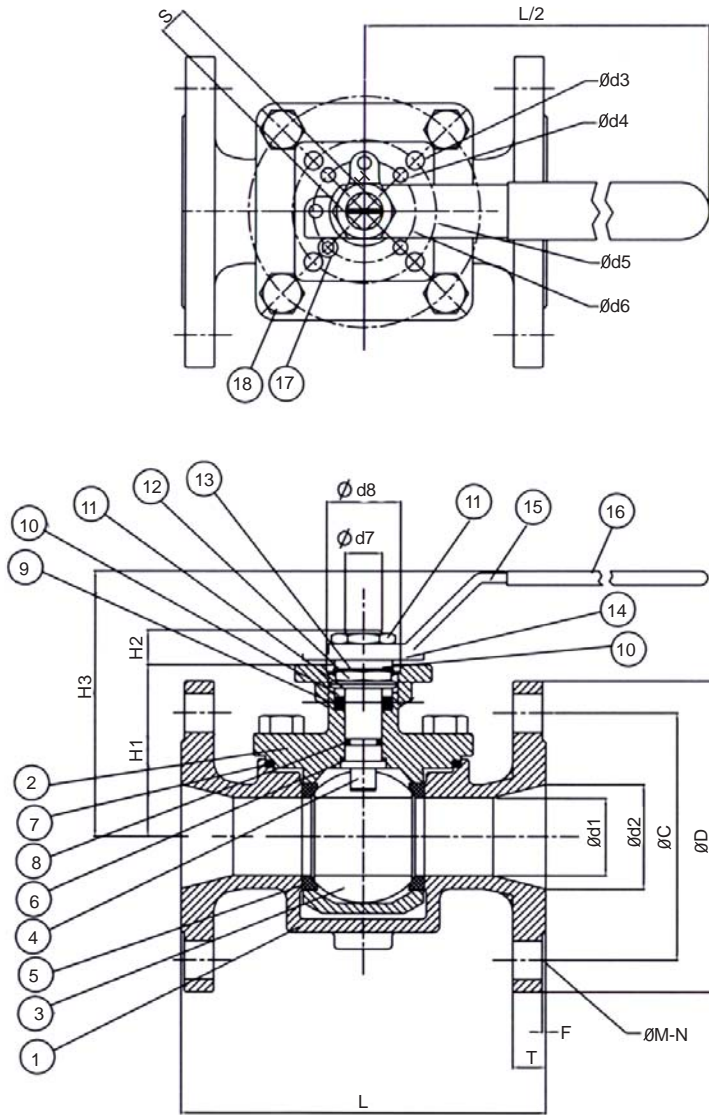
End Connections
F1 Flanged 150
F3 Flanged 300

J-Flow

J-Flow
1776 Mentor Avenue • Norwood, OH 45212
Phone 513-731-2900 • Fax 513-731-6939
www.jflowcontrols.com

Engineering

Dimensions & Material List



No.	Parts Name	Materials Option	
1	Body Flange	ASTM A351-CF8	ASTM A216 -WCB
2	Bonnet	ASTM A351-CF8	ASTM A216 -WCB
3	Ball	ASTM A351-CF8	ASTM A216 -WCB
4	Stem	SS 316	
5	Ball Seats	PTFE/TFM	PTFE+25%Carbon
6	Thrust Washer	RPTFE	
7	Gasket	PTFE	Grafoil
8	O-Ring	Viton	
9	Stem Packing	PTFE	
10	Space Washer	SS 304	
11	Disc Washser	SS 301	
12	Stem Nut	SS 304	
13	Nut Stop	SS 304	
14	Stopper Plate	SS 304	
15	Handle	SS 304	
16	Handle Cover	Plastic	
17	Stop Pin	SS 304	
18	Bonnet Bolts	Grade B8	Grade B7
19	Lever Head	ASTM A351-CF8	
20	Set Bolt	SS 304	
21	Lever	Steel Pipe	

Size	d1	d2	d3	d4	d5	d6	d7	d8	H1	H2	H3	L1	L2	S	Flange Dimensions (Class 150)					
															D	Bolt Hole				
																C	M	N	T	F
3.4"	0.77	0.77	0.28	0.24	1.97	1.65	M14	1.18	2.56	0.55	3.78	4.61	6.50	0.43	3.86	2.76	0.63	0.16	0.45	0.06
1"	0.77	1.00	0.28	0.24	1.97	1.65	M14	1.18	2.56	0.55	3.78	5.00	6.50	0.43	4.25	3.13	0.63	0.16	0.45	0.06
1-1/2"	1.26	1.5	0.36	0.28	2.76	1.97	M18	1.38	2.97	0.71	4.37	6.50	8.07	0.55	5.00	3.88	0.63	0.16	0.56	0.06
2"	1.50	2.00	0.36	0.28	2.76	1.97	M18	1.38	3.17	0.71	4.37	7.01	8.07	0.55	5.98	4.74	0.75	0.16	0.63	0.06
0.3"	2.25	3.07	0.45	0.36	4.02	2.76	M22	2.17	4.17	0.91	6.02	7.99	13.39	0.67	7.48	6.00	0.75*	0.16	0.75	0.06
4"	2.99	4.00	0.45	0.36	4.02	2.76	M22	2.17	5.12	0.91	6.02	9.02	13.39	0.67	9.02	7.50	0.75*	0.31	0.94	0.06