

Model No. CES3A-B

Sanitary Butterfly Valve

Features & Benefits

- Fully machined
- Stainless steel handle
- Polished disc
- Ideal for automation
- Accessories include micro switches, solenoids
- End connections: butt weld, tri-clamp, threaded
- Size range: 1" - 4"
- Working temperature: 15°F to 300°F
- Working pressure: up to 145 psi

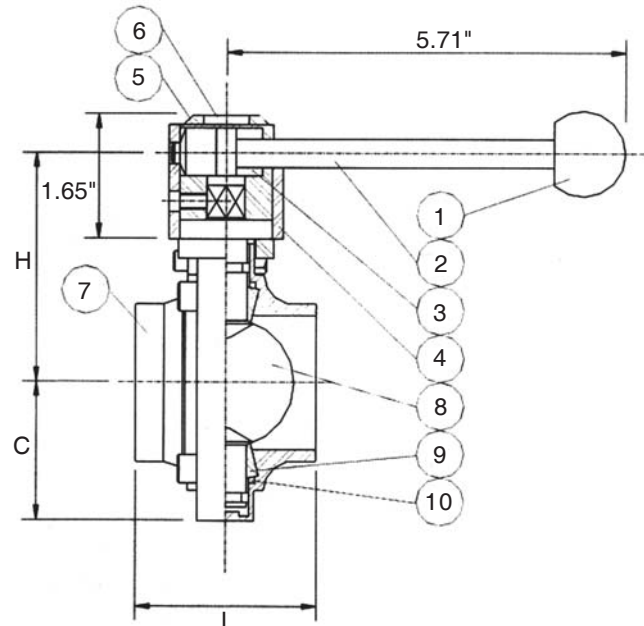
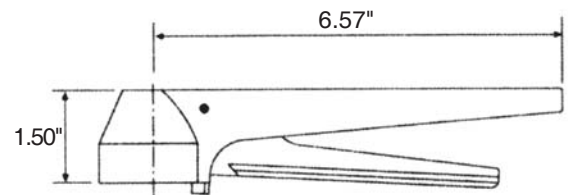


Material Specifications

No.	Description
1	Knob
2	SS 304 Steel Bar
3	SS 304 Spring
4	SS 304 Steel Tub
5	SS 304 Hold
6	Plastic Cap
7	SS 304 Body
8	SS 316 Disc
9	EPDM Rubber Seat
10	Silicon Bearing

Dimensions

Size	L		H	C
	Weld	Clamp		
1"	1.87	3.50	2.77	1.54
1-1/2"	1.87	3.50	2.94	1.71
2"	2.06	3.75	3.18	1.95
2-1/2"	2.13	3.81	3.54	2.30
3"	2.36	3.74	3.71	2.48
4"	2.36	4.81	4.19	2.97



J-Flow Controls

J-Flow, LLC
 1776 Mentor Avenue • Norwood, OH 45212
 Phone 513-731-2900 • Fax 513-731-6939
www.jflowcontrols.com