

# FSLD3900 Series

## Two Piece High Pressure, 3000 PSI Fire-Safe Ball Valve

### Features & Benefits

- Applications for Hydraulic, Chemical, Steam, Oil/ Gas, Oxygen, Vacuum
- API 607 Fire-Safe approved
- Thrust washer prevents galling, reduces torque and provides secondary stem seal
- Long cycle life, low uniform torques
- Adjustable stem packing
- Bottom entry blow-out proof stem design provides maximum safety
- Wide range of seat and seal materials
- Locking device available
- Investment cast body construction
- DIN EN 10204-3.1 certificate available



### Specifications

- Construction: 2 piece screw in
- Flow bore: Full Port
- Rating: 3000 psi; 140 psi saturated steam
- Temperature: -20° F to 180° F (Delrin)
- Materials: ASTM, CF8M, CF8, WCB
- Size range: 1/4" – 2"

### Standards

- Female pipe threaded to NPT, DIN 259/2999, BS21
- Inspection & testing according to API 598
- API 607 4th Edition, Fire Safe Test approved
- PED 97/23/EC

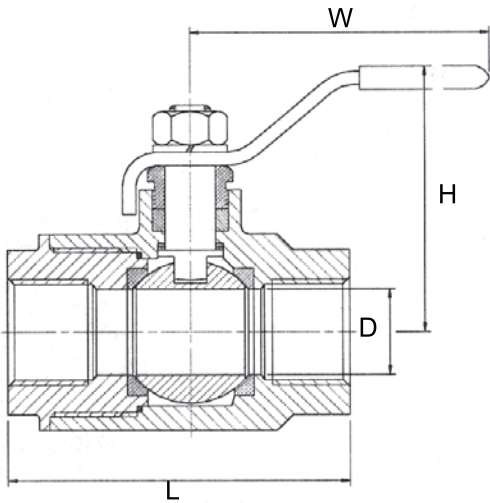
### Ordering Schematic

<input type="checkbox"/>	<input type="checkbox"/>	<input type="checkbox"/>	<input type="checkbox"/>	<input type="checkbox"/>	<input type="checkbox"/>	<input type="checkbox"/>	<input type="checkbox"/>
Series	Body Material	Trim	Port	Packing	Seat	End Connection	
FSLD39	2 WCB 3 316	3 316	F Full Port	G Graphoil	TFM Super Teflon R RPTFE	S NPT	

**J Flow Controls, LLC**

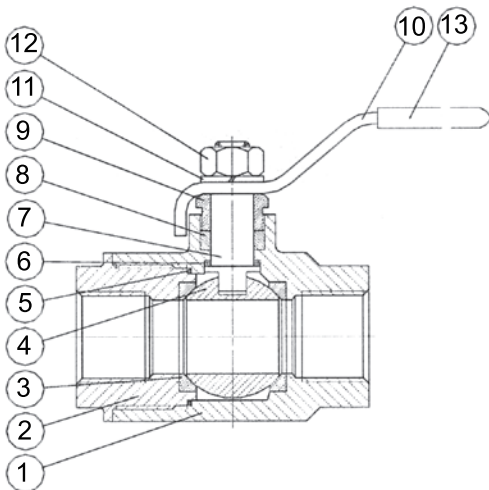
J Flow Controls, LLC  
14 De Camp Ave. • Cincinnati, OH 45216  
513-731-2900 • 1-866-95JFLOW • 513-731-6939  
sales@jflowcontrols.com • www.jflowcontrols.com

# Engineering



## Dimensions

Size	D	L	W	H	Weight
1/4"	0.5	2.72	4.80	2.64	1.54
3/8"	0.5	2.72	4.80	2.64	1.54
1/2"	0.5	2.72	4.80	2.64	1.54
3/4"	0.75	3.48	5.83	2.91	2.43
1"	1.00	4.02	6.61	3.15	3.75
1-1/4"	1.26	4.55	6.61	3.39	5.29
1-1/2"	1.50	4.88	10.24	4.76	8.38
2"	1.73	5.87	10.24	4.96	13.01



## Materials List

No.	Part Name	Material
1	Body	CF8M / WCB
2	End Cap	CF8M / WCB
3	Ball Seat	Delrin
4	Solid Ball	CF8M / CF8
5	Body Seal	Graphite
6	Thrust Washer	Graphite
7	Stem	SS316 / SS304
8	Stem Packing	Graphite
9	Bellville Washer	SS301
10	Handle	SS304 / Zinc Plated Steel
11	Spring Washer	SS304
12	Nut	SS304
13	Handle Sleeve	Vinyl

## Valve Seat Rating

