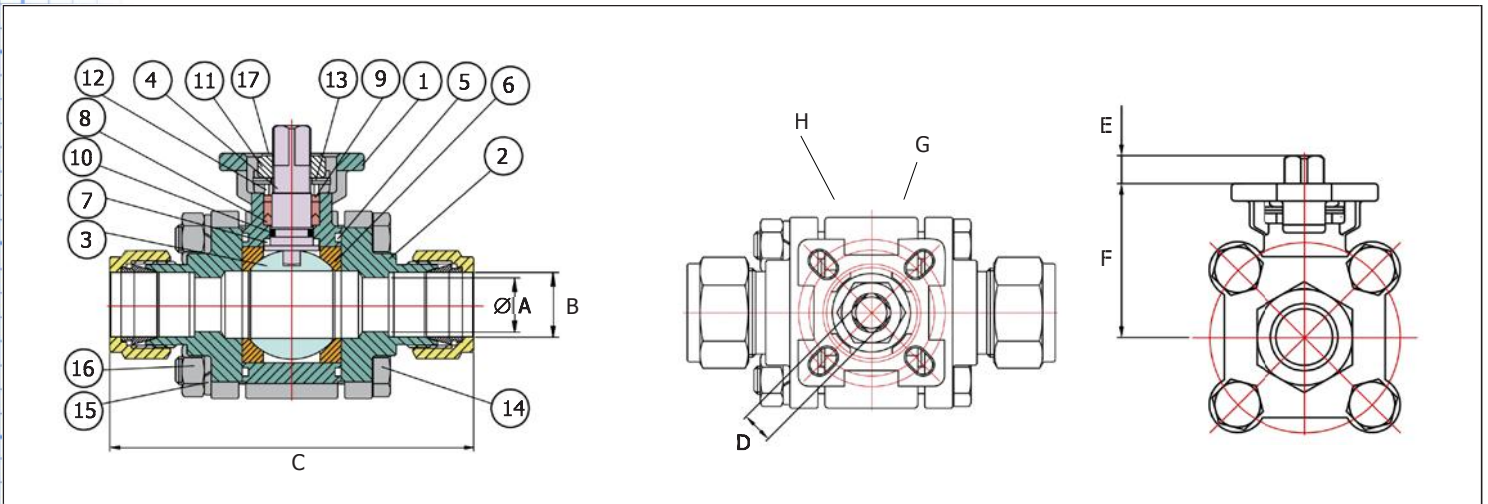


SERIES 1300 2000PSI 2-Way 3-Piece Stainless Steel Standard Port Instrument Valve

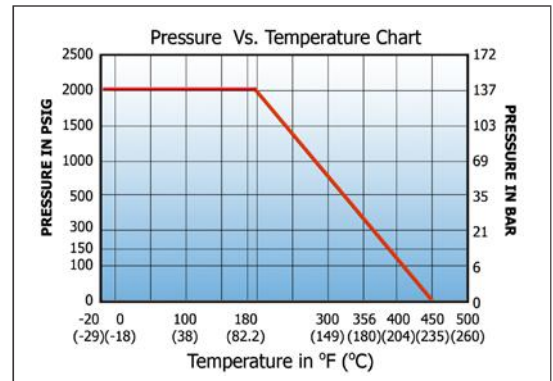
2000PSI CF8M S.S. Direct Mount Valve with TFM1600 Seats and Viton Seals



- ISO-5211 Mounting Pad
- Compression Ends with Heat Treated Ferrules
- Working pressure to 2000 PSI
- Temperature range -40° F to 450° F
- High Performance Adjustable Packing
- Bi-Directional Flow
- Extremely High Cycle Life
- Sizes 1/4" to 3/4"



NO.	PART NAME	MATERIAL	N PCS.
1	Body	CF8M	1
2	End Cap	CF8M	2
3	Ball	SS316	1
4	Stem	SS316	1
5	Packing	PTFE	2
6	Seat	TFM1600	2
7	Stem Seal	PTFE	1
8	V-Ring Packing	PTFE	1set
9	Bushing	50%SS/50%PTFE	1
10	O-Ring	VITON	1
11	Stem Nut	SS304	1
12	Gland	SS304	1
13	Belleville Washer	SS304	2
14	Bolt	SS304	4
15	Washer	SS304	4
16	Bolt Nut	SS304	4
17	Lock saddle	SS304	1



Size	Ø A	B	C	D	E	F	G	H	Cv	Break Torque in/Lb	W (Lb)
1/4"	0.18	0.26	3.74	0.35	.035	1.60	F03 1.42"	F04 1.65"	5.3	46	0.8
3/8"	0.25	0.38	3.79	0.35	0.35	1.60	F03 1.42"	F04 1.65"	8	46	0.9
1/2"	0.37	0.51	4.02	0.35	0.35	1.60	F03 1.42"	F04 1.65"	19	46	0.9
3/4"	0.63	0.75	4.02	0.35	0.35	1.72	F03 1.42"	F04 1.65"	35	58	1.2

DIMENSIONS (in)

8P1300 2000PSI Direct Mount, 2-Way 3-Piece S.S. Instrument Valve with DA Pneumatic Actuator

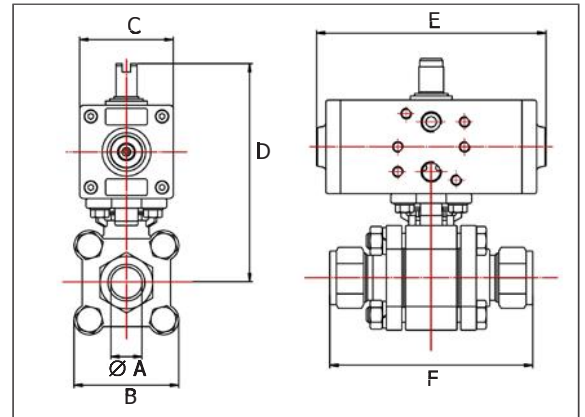
8P1302 2000PSI Direct Mount, 2-Way 3-Piece S.S. Instrument Valve with SR Pneumatic Actuator



Valve with Double Acting Actuator

Size	Ø A	B	C	D	E	F	Wt.	Act.
1/4"	0.18	1.68	1.78	4.15	4.33	3.74	1.9	DA32
3/8"	0.25	1.77	1.78	4.15	4.33	3.79	2.0	DA32
1/2"	0.37	1.92	1.78	4.15	4.33	4.02	2.0	DA32
3/4"	0.64	2.15	1.78	4.28	4.33	4.02	2.3	DA32

Dimensions (in)



Valve with Spring Return Actuator

Size	Ø A	B	C	D	E	F	Wt.	Act.
1/4"	0.18	1.68	2.80	5.11	5.49	3.74	3.5	SR52
3/8"	0.25	1.77	2.80	5.11	5.49	3.79	3.6	SR52
1/2"	0.37	1.92	2.80	5.11	5.49	4.02	3.6	SR52
3/4"	0.64	2.15	2.80	5.24	5.49	4.02	5.2	SR63

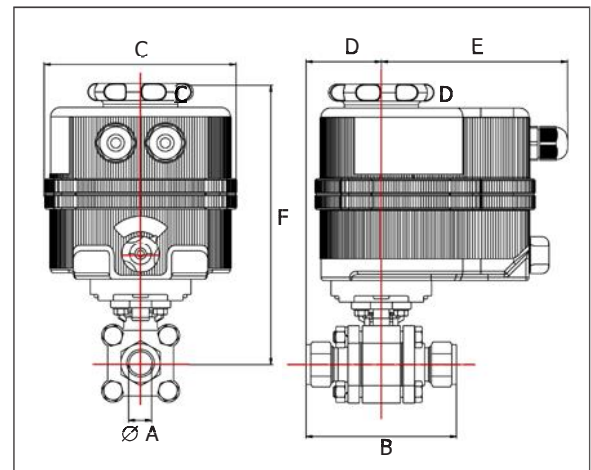
Dimensions (in)

8E1300-*** 2000PSI Direct Mount, 2-Way 3-Piece S.S. Instrument Valve with Electric Actuator

*** = Electric Supply Order Suffix	
Standard	
12VDC	001
24V AC/DC	002
100-240VAC	003

Fail Safe	
12VDC	N/A
24V AC/DC	012
100-240VAC	013

Positioner	
12VDC	021
24V AC/DC	022
100-240VAC	023



Standard On/Off Electric Actuator

Size	Ø A	B	C	D	E	Wt.	Act.
1/4"	0.18	3.74	4.84	1.87	4.74	3.8	VB015
3/8"	0.25	3.79	4.84	1.90	4.74	3.9	VB015
1/2"	0.37	4.02	4.84	2.01	4.74	3.9	VB015
3/4"	0.69	4.02	4.84	2.01	4.74	4.3	VB015

Dimensions (in)

Fail-Safe/Positioner Actuation

Size	Ø A	B	C	D	E	Wt.	Act.
1/4"	0.18	3.74	6.18	2.38	5.12	5.9	VB030
3/8"	0.25	3.79	6.18	2.38	5.12	6.0	VB030
1/2"	0.37	4.02	6.18	2.38	5.12	6.0	VB030
3/4"	0.64	4.02	6.18	2.38	5.12	6.3	VB030

Dimensions (in)