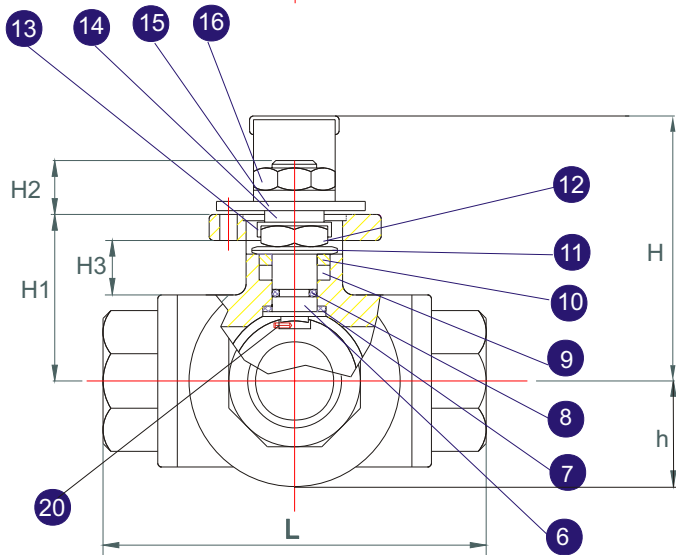
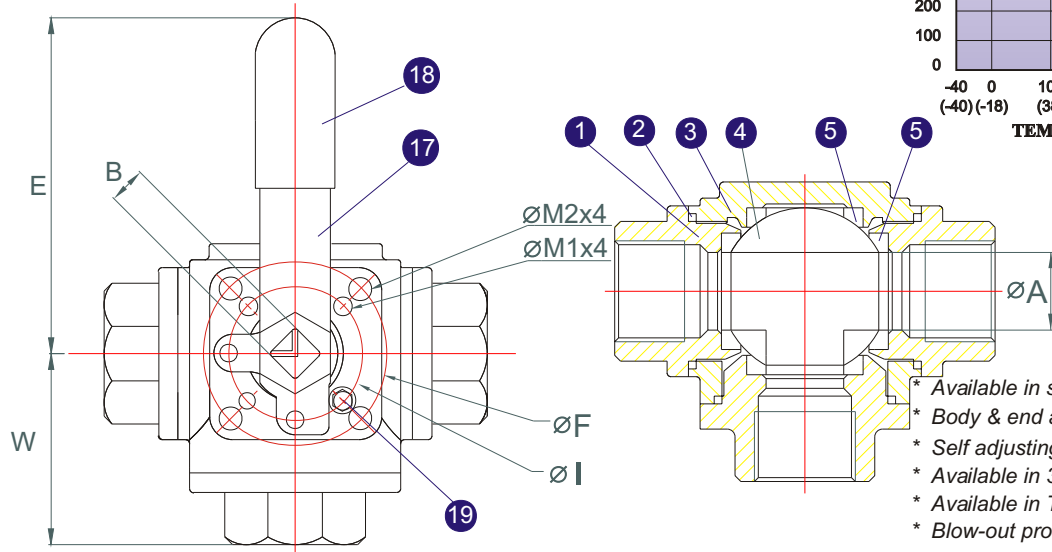
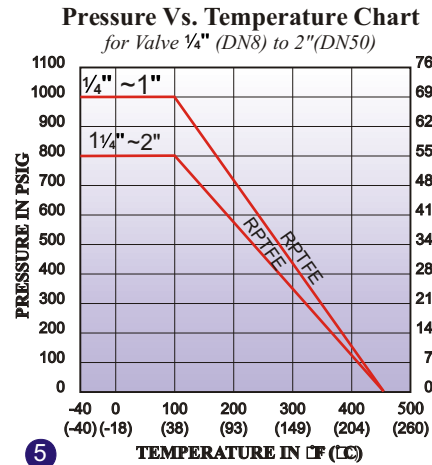




SERIES 39

3-Way Ball Valve, Full Port & Reduced Port, L or T Option
 Female Threaded Caps
 1/4" (DN8) to 2" (DN50)
 1/4"~1"-1000 PSI
 1 1/4"-2"- 800 PSI



- * Available in stainless steel or carbon steel
- * Body & end are investment cast
- * Self adjusting stem packing
- * Available in 3 way & 4 way
- * Available in T-port or L port
- * Blow-out proof setm design
- * Full port and standard(reduced) port
- * 100% air tested under water at 80 psi
- * Working pressure 800 psi
- * Temperature range -20 to 450 f
- * ISO 5211 mounting pad / connetion DIN 3337
- * End type : threaded ,socket weld, butt weld.

DIMENSIONS (mm)

Full Port	Reduced Port	ØA	B	E	H	H1	H2	H3	h	ØI	ØF	L	ØM1	ØM2	W	Wt.(kg)	ISO5211
1/4"	--	11	9	130	62	37	10.2	11.8	20	36	42	72	6.0	6.0	36	0.66	F03/F04
3/8"	1/2"	12	9	130	62	37	10.2	11.8	20	36	42	72	6.0	6.0	36	0.64	F03/F04
1/2"	3/4"	15	9	130	64	42	11.6	13.4	23.2	36	42	83	6.0	6.0	41.5	0.85	F03/F04
3/4"	1"	20	11	165	82	48.5	15	14.8	28	42	50	99	6.0	7.1	49.5	1.46	F04/F05
1"	1 1/4"	25	11	165	89	55.4	14	15.0	34	42	50	112	6.0	7.1	56	2.18	F04/F05
1 1/4"	1 1/2"	32	14	205	98	63	16.5	16.2	39	50	70	125	7.1	9.2	62.5	3.28	F05/F07
1 1/2"	2"	38	14	205	108	73.4	15.8	16.5	48	50	70	149	7.1	9.2	74.5	5.24	F05/F07
2"	--	50	17	325	140	92.3	22.5	24.2	60	70	102	174	9.2	11.4	87	9.48	F07/F10

MATERIALS LIST

NO.	PART NAME	MATERIAL	Q'TY
1	End Cap	A351 Gr. CF8M	3
2	Gasket	PTFE	3
3	Body	A351 Gr. CF8M	1
4	Ball	SS 316	1
5	Seat	PTFE/RPTFE	4
6	Stem	SS 316	1
7	Stem Seal	RPTFE	1
8	O-Ring	VITON	1
9	Stem Packing	PTFE	1
10	Gland	SS 304	1
11	Belleville Washer	SS 301	2
12	Stem Nut	SS 304	1
13	Nut Stop	SS 304	1
14	Space Washer	SS 304	1
15	Lock Saddle	SS 304	1
16	Handle Nut	SS 304	1
17	Handle	SS 304	1
18	Handle Sleeve	Vinyl	1
19	Stop Pin	SS 304	1
20	Insert Pin	SS 316	1