

# SANITARY CLAMPS

SINGLE PIN, DOUBLE PIN, 3 SEGMENT, & HIGH PRESSURE



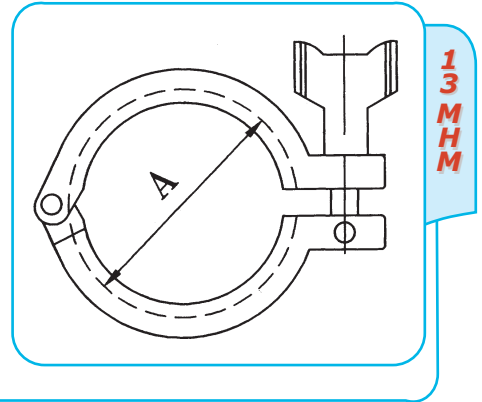
## FEATURES/SPECIFICATIONS:

- 304 Stainless construction
- 100% Factory inspected to ensure the highest quality of finished product
- Various styles of wing nuts available



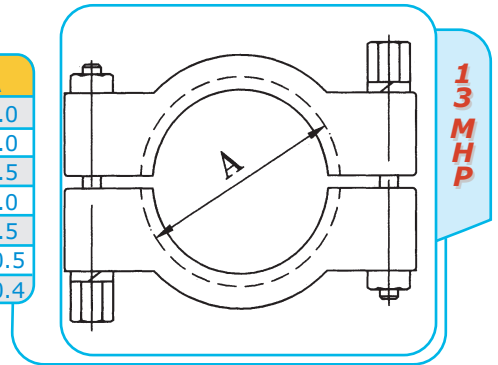
**13-MHM Single Pin Clamps**

size	A
1/2"	28.6
3/4"	28.6
1.0"	53.9
1.5"	53.9
2.0"	67.4
2.5"	80.9
3.0"	94.4
4.0"	122.4
6.0"	170.4
8.0"	221.1
10.0"	272.0

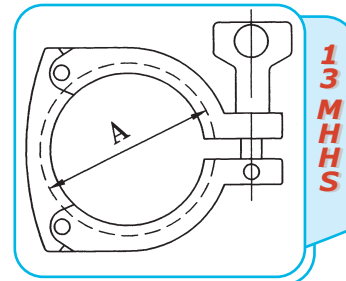


**13-MHP High Pressure Clamps**

size	A
1.0"	52.0
1.5"	52.0
2.0"	65.5
2.5"	79.0
3.0"	92.5
4.0"	120.5
6.0"	170.4

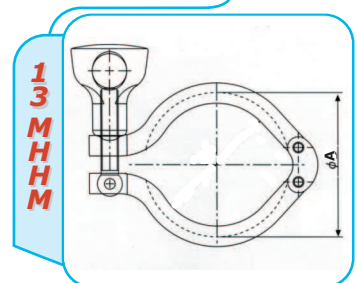


**13-MHHS 3-Segment Clamps**



size	A
1/2-3/4"	28.6
1.5"	53.9
2.0"	67.4
2.5"	80.9
3.0"	94.4
4.0"	122.4
6.0"	170.4
8.0"	221.1

size	A
1.0"	53.9
1.5"	53.9
2.0"	67.4
2.5"	80.9
3.0"	94.4
4.0"	122.4



**Sanitary Clamps**