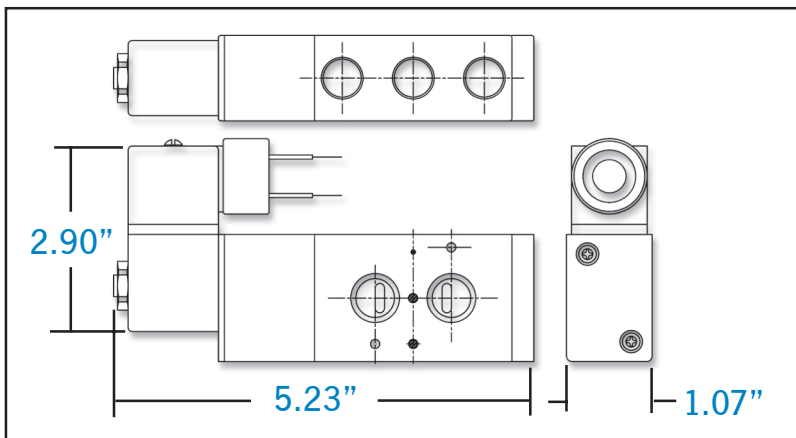


SERIES NMR3 3-WAY CONDUIT
3-WAY SINGLE SOLENOID NAMUR VALVE

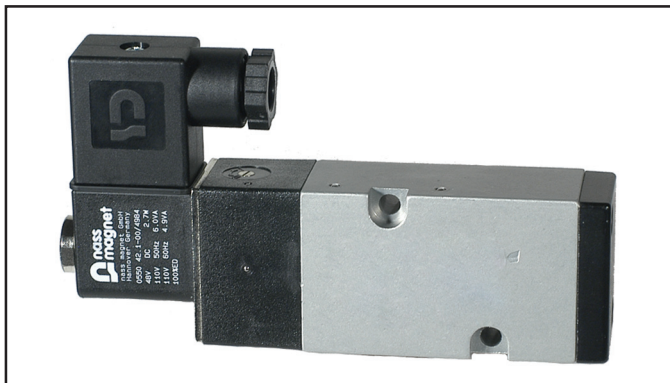
- Cv = 1.68
- Ports 1/4" NPT
- Duty Cycle = 100% Continuous
- Power Consumption = 2.5 watts
- Pressure Range = 20 to 120 psig
- Temperature Range = 35°-130° F. (normal)
0°- 130° F. (with dry media)



MODEL	VOLTAGE	INRUSH
NMR3-C1	110 VAC	62 mA
NMR3-C2	24 VDC	108 mA
NMR3-C12	12 VDC	204 mA
NMR3-C22	220 VAC	31 mA
NMR3-C24	24 VAC	See *

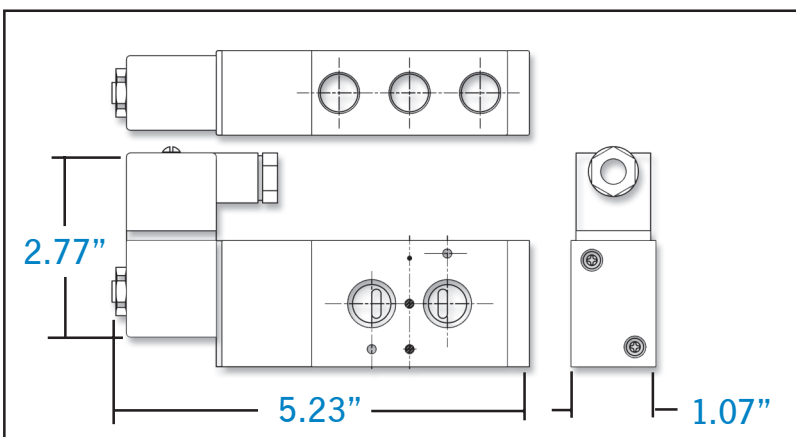
* Consult Factory

NEMA 4, 4x LR 51090
 MH 13513



SERIES NMR3 3-WAY DIN
3-WAY SINGLE SOLENOID NAMUR VALVE

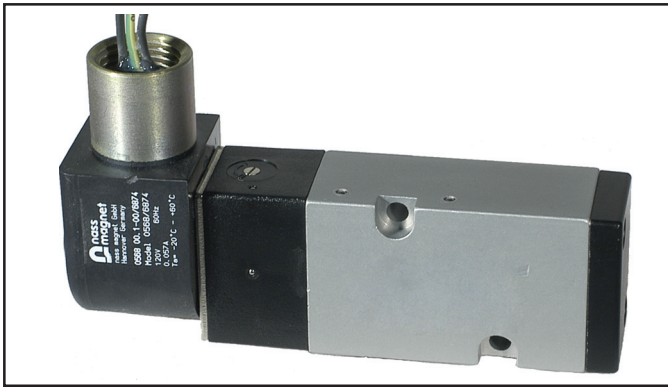
- Cv = 1.68
- Ports 1/4" NPT
- Duty Cycle = 100% Continuous
- Power Consumption = 2.5 watts
- Pressure Range = 20 to 120 psig
- Temperature Range = 35°-130° F. (normal)
0°- 130° F. (with dry media)



MODEL	VOLTAGE	INRUSH
NMR3-D1	110 VAC	62 mA
NMR3-D2	24 VDC	108 mA
NMR3-D12	12 VDC	204 mA
NMR3-D22	220 VAC	31 mA
NMR3-D24	24 VAC	SEE *

* Consult Factory

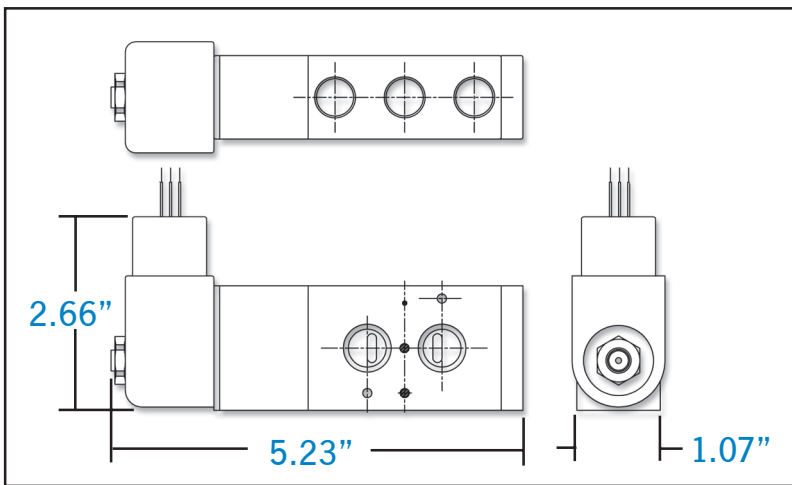
NEMA 4, 4x LR 51090
 MH 13513



SERIES NMR3 3-WAY EXPLOSION PROOF

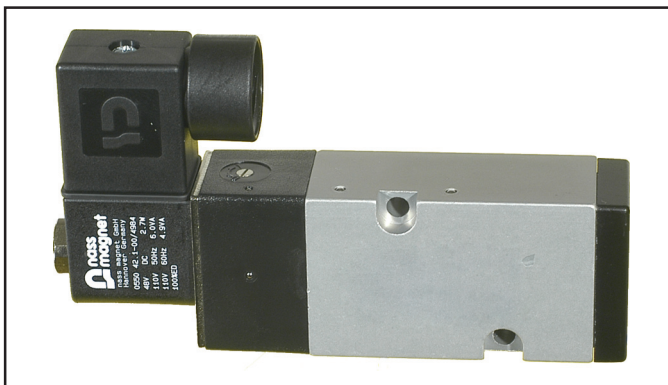
3-WAY SINGLE SOLENOID NAMUR VALVE

- Cv =1.68
- Ports 1/4" NPT
- Duty Cycle = 100% Continuous
- Power Consumption = 2.5 watts
- Pressure Range = 20 to 120 psig
- Temperature Range = 35°-130° F. (normal)
0°- 130° F. (with dry media)



MODEL	VOLTAGE	INRUSH
NMR3-EX1	110 VAC	74 mA
NMR3-EX2	24 VDC	190 mA
NMR3-EX12	12 VDC	372 mA
NMR3-EX22	220 VAC	36 mA

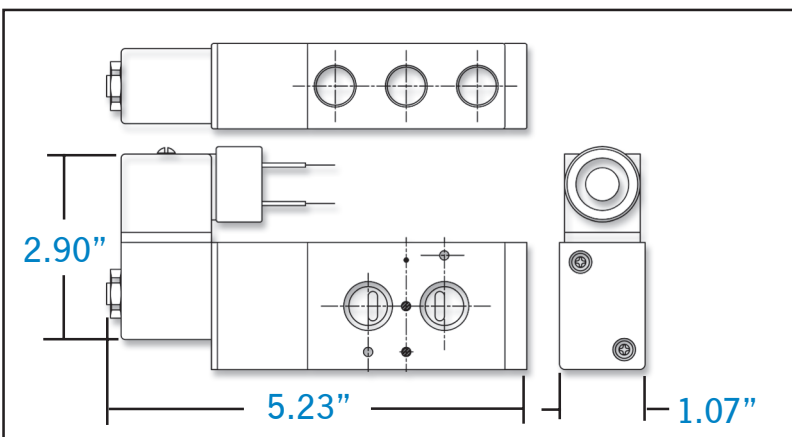
NEMA 4, 4x, 7,9 202633x
 Approved For Hazardous Locations
 CL.I. Zone 1, Ex mII T4; AEx mII
 CL.I; Div.1; GR. A,B,C,D
 CL.II; GR. E,F,G - CL.III
 T4 Ta=-20° c . . . +60° c
 100% Duty Cycle



SERIES NMR1 4-WAY CONDUIT

3-WAY SINGLE SOLENOID NAMUR VALVE

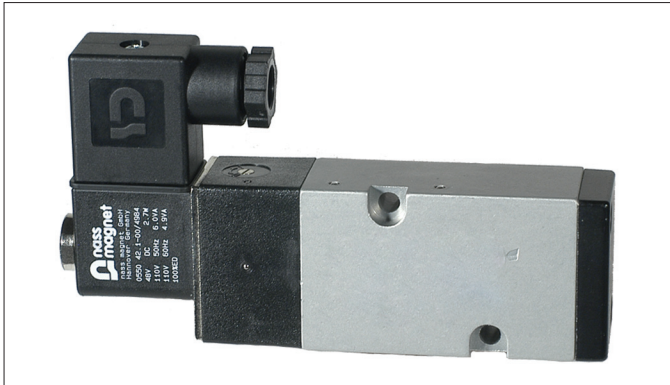
- Cv =1.68
- Ports 1/4" NPT
- Duty Cycle = 100% Continuous
- Power Consumption = 2.5 watts
- Pressure Range = 20 to 120 psig
- Temperature Range = 35°-130° F. (normal)
0°- 130° F. (with dry media)



MODEL	VOLTAGE	INRUSH
NMR1-C1	110 VAC	62 mA
NMR1-C2	24 VDC	108 mA
NMR1-C12	12 VDC	204 mA
NMR1-C22	220 VAC	31 mA
NMR1-C24	24 VAC	SEE *

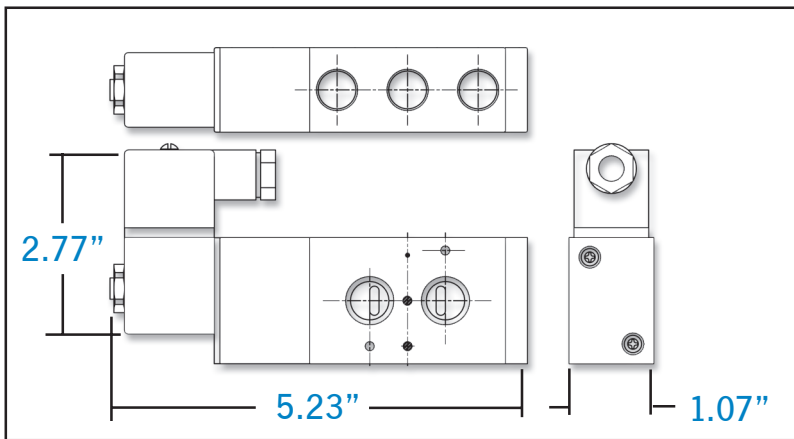
* Consult Factory

NEMA 4, 4x LR 51090
 MH 13513



SERIES NMR1 4-WAY DIN
3-WAY SINGLE SOLENOID NAMUR VALVE

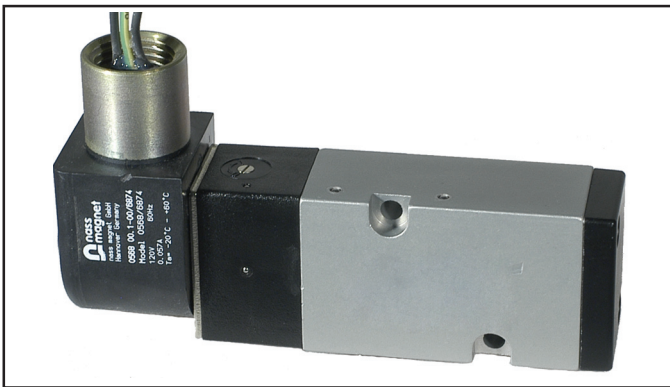
- Cv = 1.68
- Ports 1/4" NPT
- Duty Cycle = 100% Continuous
- Power Consumption = 2.5 watts
- Pressure Range = 20 to 120 psig
- Temperature Range = 35°-130° F. (normal)
0°- 130° F. (with dry media)



MODEL	VOLTAGE	INRUSH
NMR1-D1	110 VAC	62 mA
NMR1-D2	24 VDC	108 mA
NMR1-D12	12 VDC	204 mA
NMR1-D22	220 VAC	31 mA
NMR1-D24	24 VAC	SEE *

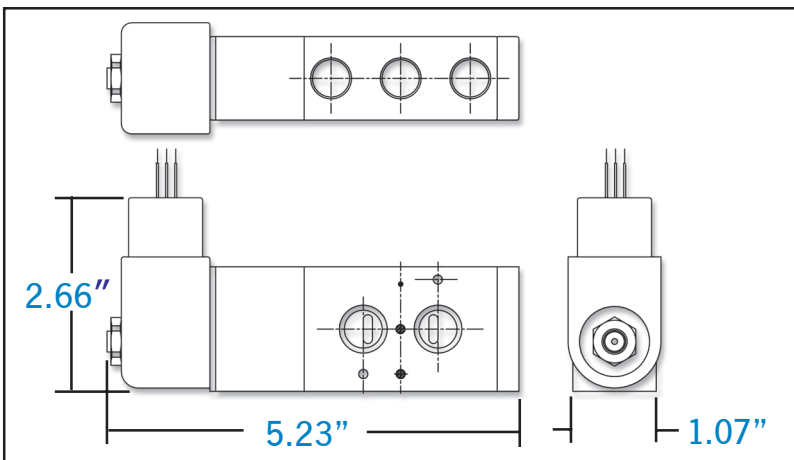
* Consult Factory

NEMA 4, 4x LR 51090
 MH 13513



SERIES NMR1 4-WAY EXPLOSION PROOF
3-WAY SINGLE SOLENOID NAMUR VALVE

- Cv = 1.68
- Ports 1/4" NPT
- Duty Cycle = 100% Continuous
- Power Consumption = 2.5 watts
- Pressure Range = 20 to 120 psig
- Temperature Range = 35°-130° F. (normal)
0°- 130° F. (with dry media)



MODEL	VOLTAGE	INRUSH
NMR1-EX1	110 VAC	74 mA
NMR1-EX2	24 VDC	190 mA
NMR1-EX12	12 VDC	372 mA
NMR1-EX22	220 VAC	36 mA

NEMA 4, 4x, 7, 9 202633x
 Approved For Hazardous Locations
CL.I, Zone 1, Ex mII T4; AEx mII
CL.I; Div.1; GR. A,B,C,D
CL.II; GR. E,F,G - CL.III
T4 Ta=-20° c . . . +60° c
100% Duty Cycle



SERIES BV

- Electric Nickel Plated Steel Fitting
- 40 Micron Sintered Bronze Element
- 150 PSIG Maximum Working Pressure
- Temperature -60°F to 300°F

NPT SIZE	PART#	LENGTH	HEX
1/8"	BV-1	7/16"	7/16"
1/4"	BV-2	5/8"	9/16"
3/8"	BV-3	3/4"	11/16"
1/2"	BV-4	7/8"	7/8"



SERIES SBM

- Electric Nickel Plated Steel Fitting
- 40 Micron Sintered Bronze Element
- 150 PSIG Maximum Working Pressure
- Temperature -60°F to 300°F

NPT SIZE	PART#	LENGTH	HEX
10/32"	SBM-M	45/64"	5/16"
1/8"	SBM-1	1-1/8"	7/16"
1/4"	SBM-2	1-3/8"	9/16"
3/8"	SBM-3	1-1/2"	11/16"
1/2"	SBM-4	1-7/8"	7/8"



SERIES SCM

- Brass Construction
- 40 Micron Sintered Bronze Element
- 150 PSIG Maximum Working Pressure
- Temperature -60°F to 300°F

NPT SIZE	PART#	LENGTH	FLATS
1/8"	SCM-1	1-5/16"	1/2"
1/4"	SCM-2	1-9/16"	9/16"
3/8"	SCM-3	1-5/8"	11/16"
1/2"	SCM-4	2"	7/8"