



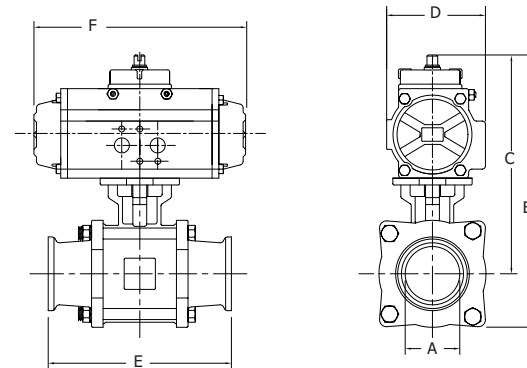
770 VALVE WITH DOUBLE ACTING ACTUATOR

Dimensions (in) Non-Cavity Filled **8P0770**

Size	1/2"	3/4"	1"	1-1/2"	2"	2-1/2"	3"	4"
A	.500	.750	1.00	1.50	2.00	2.50	3.00	4.00
B	5.36	5.71	6.18	7.70	8.60	10.0	11.1	12.7
C	5.17	5.40	5.74	7.00	7.95	8.88	9.69	10.7
D	2.80	2.80	2.80	3.17	3.72	3.72	4.17	4.84
E	3.50	3.99	4.50	5.51	6.25	6.85	7.60	8.89
F	5.49	5.49	5.49	6.38	8.15	8.15	9.35	10.7
ACT.	52	52	52	63	75	75	85	100

Dimensions (in) Cavity Filled **8P0771**

Size	1/2"	3/4"	1"	1-1/2"	2"	2-1/2"	3"	4"
A	.500	.750	1.00	1.50	2.00	2.50	3.00	4.00
B	5.36	5.71	6.18	8.35	8.89	11.0	11.6	13.8
C	5.17	5.40	5.74	7.01	7.95	9.84	10.2	11.9
D	2.80	2.80	2.80	3.72	3.72	4.84	4.84	5.39
E	3.50	3.99	4.50	5.51	6.25	6.85	7.60	8.89
F	5.49	5.49	5.49	8.15	8.15	10.7	10.7	12.91
ACT.	52	52	52	75	75	100	100	115



771 VALVE WITH SPRING RETURN ACTUATOR

Dimensions (in) Non-Cavity Filled **8P0772**

Size	1/2"	3/4"	1"	1-1/2"	2"	2-1/2"	3"	4"
A	.500	.750	1.00	1.50	2.00	2.50	3.00	4.00
B	5.79	5.79	7.27	8.80	9.85	12.2	13.3	15.0
C	5.61	5.61	6.83	8.11	8.91	11.0	11.8	13.8
D	3.17	3.17	3.72	4.17	4.84	5.39	5.83	7.36
E	3.50	3.99	4.50	5.51	6.25	6.85	7.60	8.89
F	6.38	6.38	8.15	9.35	10.7	12.9	14.4	20.5
ACT.	63	63	75	85	100	115	125	160

Dimensions (in) Cavity Filled **8P0773**

Size	1/2"	3/4"	1"	1-1/2"	2"	2-1/2"	3"	4"
A	.500	.750	1.00	1.50	2.00	2.50	3.00	4.00
B	5.79	6.15	7.26	9.30	11.0	14.0	14.6	15.7
C	5.10	5.85	6.83	8.62	10.1	12.8	13.2	13.8
D	3.96	3.96	4.61	5.57	6.75	8.58	8.58	8.58
E	3.50	3.99	4.50	5.51	6.25	6.85	7.60	8.89
F	6.38	6.38	8.15	10.7	12.9	20.5	20.5	20.5
ACT.	63	63	75	100	115	160	160	160