

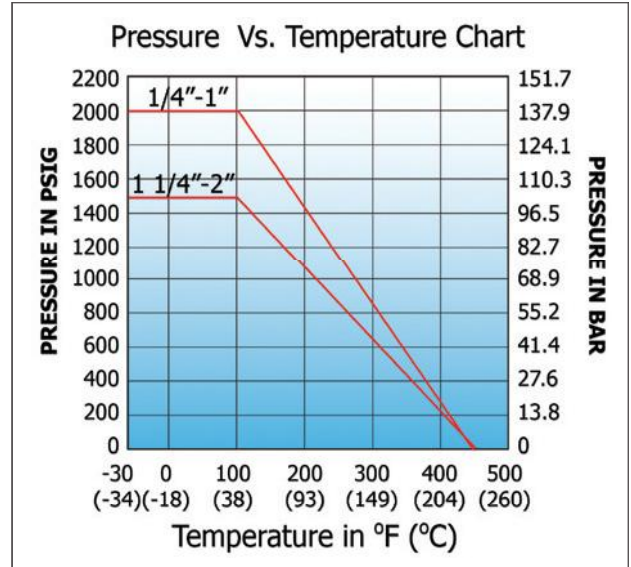
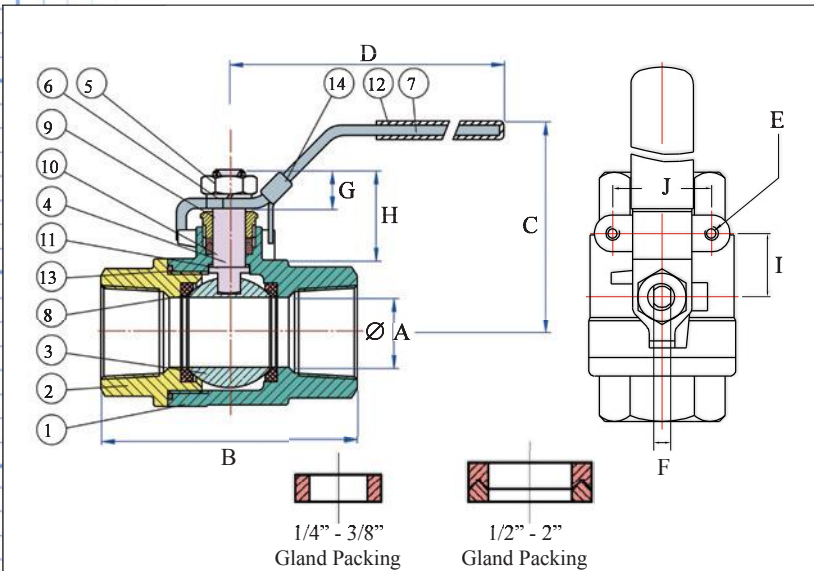
SERIES **600 LL** 2-Piece Full Port Carbon Steel Ball Valve W/ Locking Handle

SERIES **700 LL** 2-Piece Full Port Stainless Steel Ball Valve W/ Locking Handle



Carbon and Stainless Steel Ball Valve - 2-way 2-Piece valve, full port from 1/4" to 2" Threaded FNPT

- Self adjusting stem packing
- Blow-out proof stem design
- 100% air tested under water at 80 psi
- Working pressure is 2000 psi (1/4" to 1"), 1500 psi (1 1/4" to 2")
- Temperature range -40° F. to 450° F.



DIMENSIONS (in)

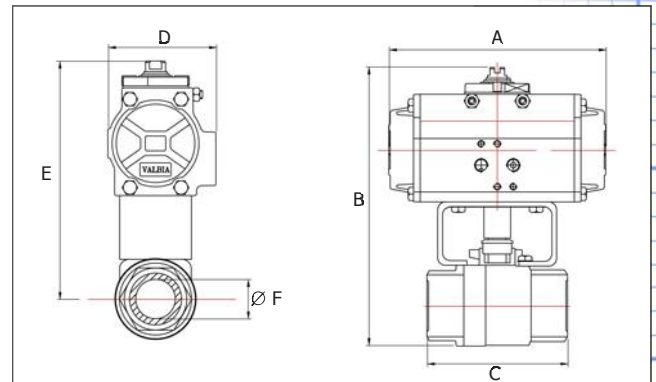
NO.	PART NAME	MATERIAL	N PCS.
1	Body	WCB	1
2	End Cap	WCB	1
3	Ball	SS 316	1
4	Stem	SS 316	1
5	Stem Nut	SS 304	1
6	Stem Washer	SS 304	1
7	Lever	SS 304	1
8	Seat	RTFE	2
9	Gland Nut	SS 304	1
10	*V-Ring Packing	PTFE	*
11	Thrust Washer	PTFE	1
12	Handle Sleeve	Vinyl	1
13	Joint Gasket	PTFE	1
14	Locking Device	SS 304	1

Full Port	Ø A	B	C	D	E	F	G	H	I	J	Cv	Break Torque	W (Lb)
1/4"	0.45	2.16	1.97	3.94	10-24UNC	0.20	0.38	0.87	0.50	1.12	8	46	0.50
3/8"	0.49	2.16	1.97	3.94	10-24UNC	0.20	0.38	0.87	0.50	1.12	10	46	0.50
1/2"	0.59	2.56	2.36	5.12	10-24UNF	0.26	0.43	1.01	0.50	1.12	15	58	0.83
3/4"	0.78	2.93	2.52	5.12	10-24UNF	0.26	0.43	1.01	0.88	1.37	34	81	1.14
1"	0.98	3.46	2.79	6.50	10-24UNF	0.31	0.53	1.24	0.92	1.37	56	138	2.02
1 1/4"	1.25	4.02	3.07	6.50	1/4"-20UNF	0.31	0.53	1.24	1.00	1.50	85	173	2.70
1 1/2"	1.49	4.33	3.39	7.48	1/4"-18UNF	0.38	0.61	1.38	1.00	1.50	125	263	4.18
2"	1.96	4.92	3.74	7.48	1/4"-18UNF	0.38	0.61	1.20	1.00	1.50	250	323	6.86

\* 1/4" - 3/8" regular 1pc stem packing is used instead  
1/2" - 2" 1 set of v-ring packing consists of 2pcs of v-ring

**8P0124-8P0125** 2000PSI Mounted, 2-Way Carbon Steel Ball Valve with DA Pneumatic Actuator

**8P0026-8P0027** 2000PSI Mounted, 2-Way Stainless Steel Ball Valve with SR Pneumatic Actuator



**8P0124**  
**8P0026**

**DOUBLE ACTING**

DIMENSIONS (in)

Size	A	B	C	D	E	Ø F	Act.	Kit #	Wt/Lbs
1/4"	4.33	7.46	2.16	1.77	6.55	0.59	DA32	MK700LL-1/4	3.9
3/8"	4.33	7.85	2.16	1.77	6.55	0.78	DA32	MK700LL-1/4	4.3
1/2"	4.33	7.57	2.55	1.77	6.96	0.98	DA32	MK700LL-1/2	6.3
3/4"	4.33	7.85	2.94	1.77	7.10	0.78	DA32	MK700LL-3/4	4.3
1"	5.49	7.57	3.47	2.80	6.55	0.98	DA52	MK700LL-1	6.3
1-1/4"	5.49	7.83	4.02	2.80	6.58	1.25	DA52	MK700LL-1.25	7.0
1-1/2"	6.38	8.85	4.33	3.17	7.35	1.49	DA63	MK700LL-1.5	9.5
2"	8.15	10.24	4.92	3.72	8.24	1.96	DA75	MK700LL-2	14.4

**8P0125**  
**8P0027**

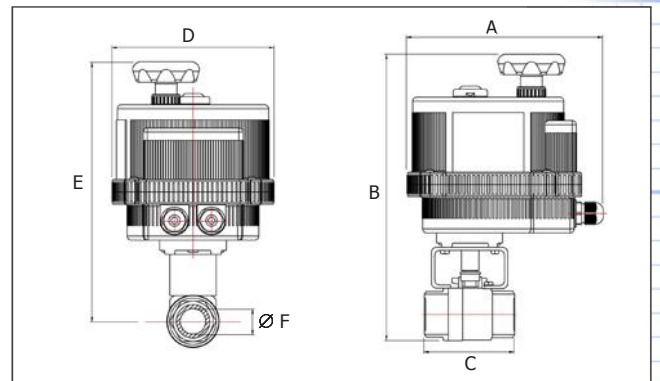
**SPRING RETURN**

DIMENSIONS (in)

Size	A	B	C	D	E	Ø F	Act.	Kit #	Wt/Lbs
1/4"	5.49	6.41	2.16	2.80	5.91	0.59	SR52	MK700LL-1/4	5.1
3/8"	5.49	6.41	2.16	2.80	5.91	0.59	SR52	MK700LL-1/4	5.1
1/2"	5.49	6.41	2.55	2.80	6.32	0.59	SR52	MK700LL-1/2	5.4
3/4"	6.38	7.53	2.94	3.17	6.78	0.78	SR63	MK700LL-3/4sr	7.2
1"	8.15	8.66	3.47	3.72	7.65	0.98	SR75	MK700LL-1	10.9
1-1/4"	8.15	8.89	4.02	3.72	7.59	1.25	SR75	MK700LL-1.25	11.7
1-1/2"	9.35	9.95	4.33	4.17	8.45	1.49	SR85	MK700LL-1.5	15.9
2"	10.69	11.72	4.92	4.84	9.76	1.96	SR100	MK700LL-2	23.5

**8P0127** 2000PSI Mounted, 2-Way Carbon Steel Ball Valve with On/Off Electric Actuator

**8P0126** 2000PSI Mounted, 2-Way Stainless Steel Ball Valve with On/Off Electric Actuator



*** = Electric Supply Order Suffix	
Standard	
12VDC	001
24V AC/DC	002
100-240VAC	003
Fail Safe	
12VDC	N/A
24V AC/DC	012
100-240VAC	013
Positioner	
12VDC	021
24V AC/DC	022
100-240VAC	023

**8P0127**  
**8P0126**

**Valve with Electric Actuator**

DIMENSIONS (in)

Size	A	B	C	D	E	Ø F	Act.	Kit #	Wt/Lbs
1/4"	4.84	10.07	2.16	6.41	9.55	0.59	DA2	MK700LL-1/4	3.9
3/8"	4.84	10.07	2.16	6.41	9.55	0.59	DA32	MK700LL-1/4	4.3
1/2"	4.84	10.47	2.55	6.41	9.97	0.59	VB015	MK700LL-1/2	6.3
3/4"	4.84	10.86	2.94	6.41	10.11	0.78	VB015	MK700LL-3/4sr	4.3
1"	6.18	11.45	3.47	7.50	10.43	0.98	VB030	MK700LL-1	6.3
1-1/4"	6.18	11.71	4.02	7.50	10.46	1.25	VB030	MK700LL-1.25	7.0
1-1/2"	6.18	12.29	4.33	7.50	10.79	1.49	VB030	MK700LL-1.5	9.5
2"	7.28	14.09	4.92	8.43	12.09	1.96	VB060	MK700LL-2	14.4