

DM5100/5200 Series

T Port/L Port Three Way Valves

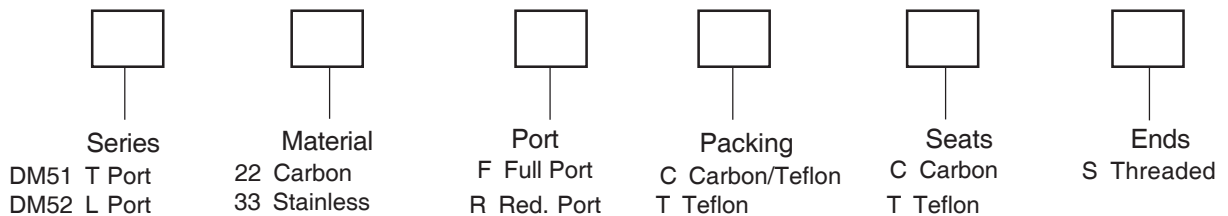
Features & Benefits

- Oval handle, 45° handle
- Available in stainless steel or carbon steel
- Body and end are investment cast
- Self adjusting stem packing
- Available in T-port or L-port
- 4 piece ball seats (PTFE + 15% C.F.)
- Blow-out proof stem design
- Full port and standard (reduced port)
- 100% air tested under water at 100 psi
- Work pressure to 800 psi
- Temperature range -20°F to +450°F
- ISO 5211 mounting pad/connection DIN 3337
- End type: threaded
- Locking device
- Silicone free



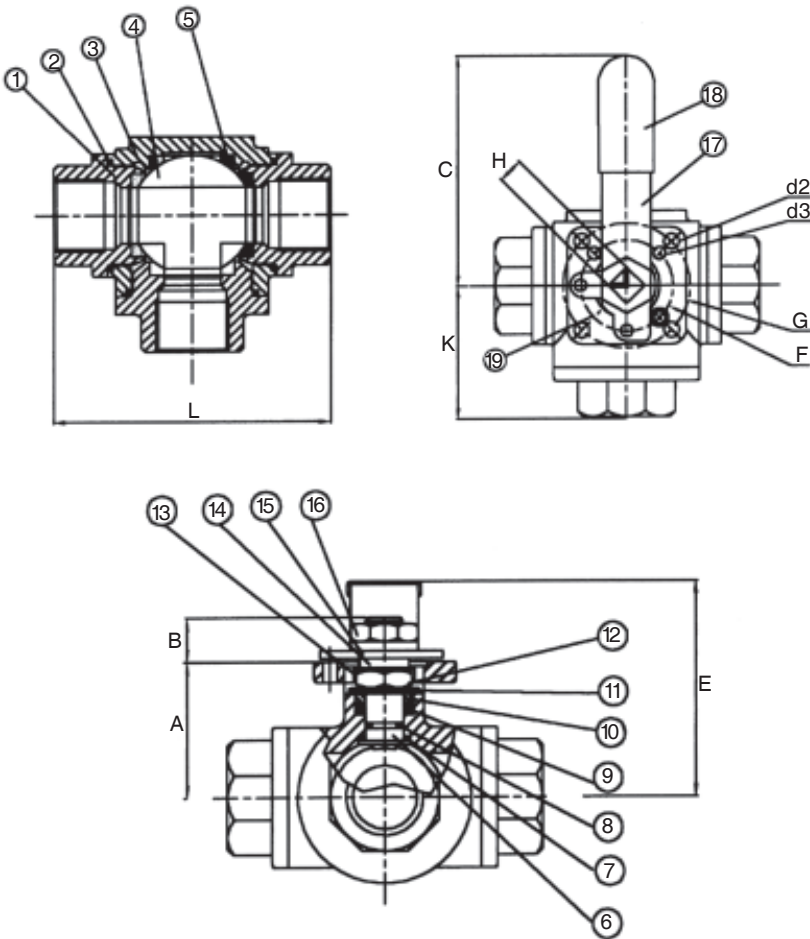
Torque In-Lbs	T Port Cv (Kv)	L Port Cv (Kv)	Weight Lb (Kg)
100	5 (4,3)	4 (3,4)	0.9 (0,4)
120	16 (13,8)	11 (9,5)	1.9 (0,9)
120	16 (13,8)	11 (9,5)	1.9 (0,9)
265	33 (28,4)	22 (19,0)	5.0 (2,3)
315	85 (73,3)	56 (48,3)	8.0 (3,6)
580	160 (137,9)	110 (94,8)	12.0 (5,4)

Ordering Schematic

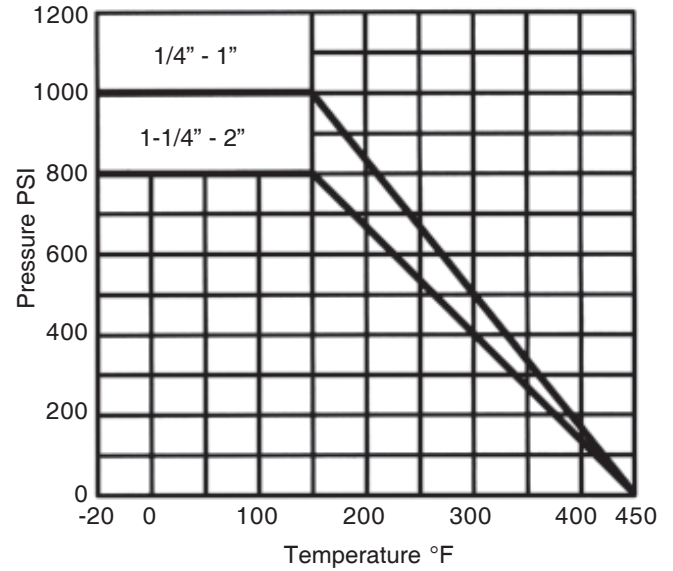


Dimensions

Size	A	B	C	d1	d2	E	F	G	H	K	L	Wt
1/4"	1.5	0.4	5.1	0.2	0.2	2.4	1.4	1.7	0.4	1.4	2.8	1.4
3/8"	1.5	0.4	5.1	0.2	0.2	2.4	1.4	1.7	0.4	1.4	2.8	1.3
1/2"	1.6	0.4	5.1	0.2	0.2	2.5	1.4	1.7	0.4	1.6	3.3	1.8
3/4"	1.9	0.6	6.5	0.2	0.3	3.2	1.7	2.0	0.4	1.9	4.0	3.1
1"	2.2	0.6	6.5	0.2	0.3	3.5	1.7	2.0	0.4	2.2	4.4	4.7
1-1/4"	2.5	0.7	8.1	0.3	0.4	3.9	2.0	2.8	0.6	2.5	4.9	7.4
1-1/2"	2.9	0.7	8.1	0.3	0.4	4.3	2.0	2.8	0.6	2.9	5.9	11.4
2"	3.7	0.9	12.8	0.4	0.5	5.5	2.8	4.0	0.7	3.4	6.9	21.0



Temperature Chart



Material List

Item	Part Name	Materials
1	End Cap	A351 Gr. CF8M
2	Gasket	PTFE
3	Body	A351 Gr. CF8M
4	Ball	SS 316
5	Seats	RPTFE + Carbon
6	Thrust Washer	RPTFE
7	Stem	SS316
8	O-Ring	Viton
9	Stem Packing	PTFE
10	Gland	SS 304
11	Disk Washer	SS 301
12	Stem Nut	SS 304
13	Nut Stop	SS 304
14	Space Washer	SS 304
15	Plater	SS 304
16	Handle Nut	SS 304
17	Handle	SS 304
18	Cover	Plastisol
19	Stop Pin	SS 304