

# DM4800 Series

## Three Piece High Performance 3000 PSI Ball Valves

### Features & Benefits

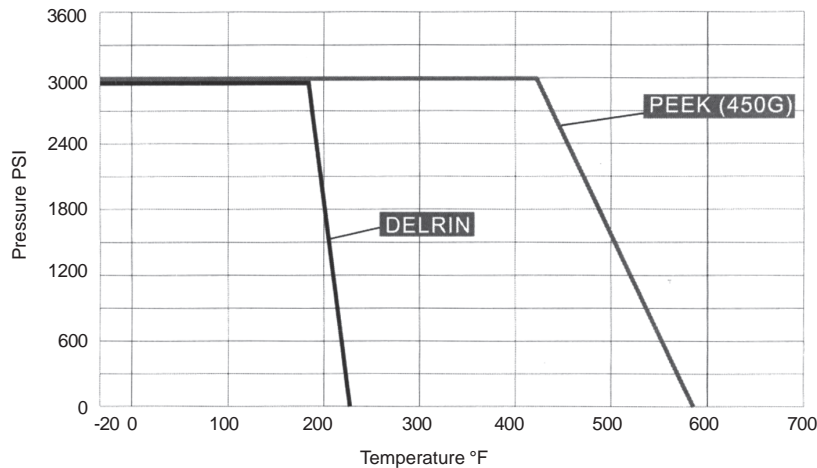
- Designed according to Class 1500
- Body and end caps quality investment casting
- Available in stainless steel, carbon steel and alloys
- Direct mount
- 100% air tested under water at 80-100 psi
- V-Ball optional
- Temperature range: -20°F to +600°F
- Meets B16.34



### Break-Torque Value (in/lbs at 0 psi)

	1/4"	3/8"	1/2"	3/4"	1"	1-1/4"	1-1/2"	2"	2-1/2"	3"
Grease	95	95	95	125	175	250	325	425	575	700

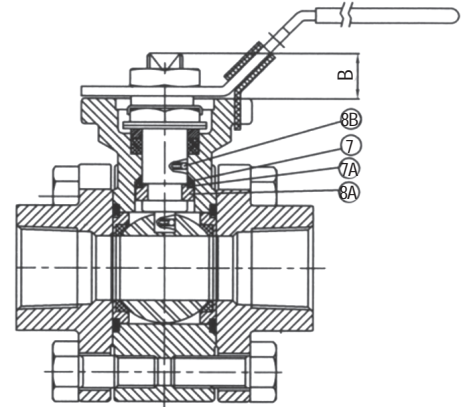
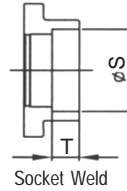
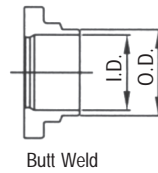
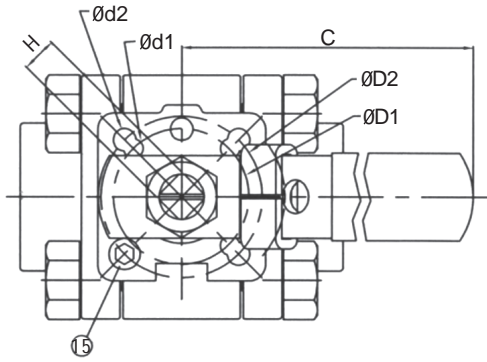
### Temperature Chart



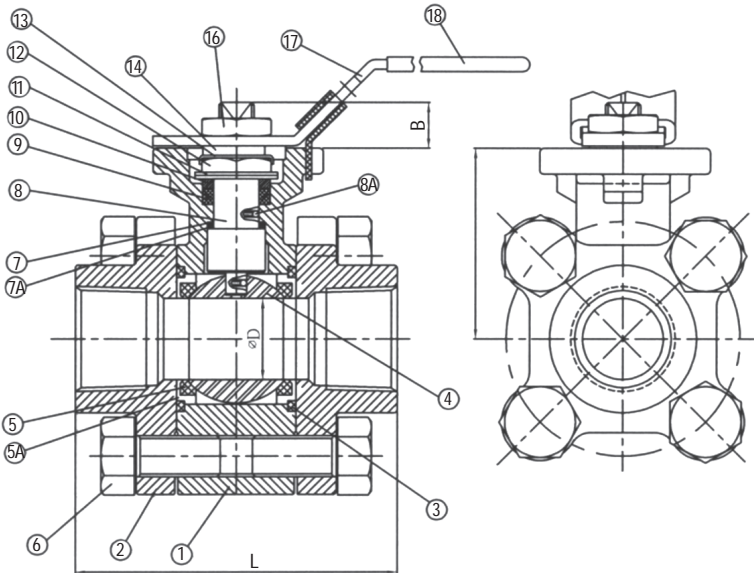
### Ordering Schematic

<input type="checkbox"/>	<input type="checkbox"/>	<input type="checkbox"/>	<input type="checkbox"/>	<input type="checkbox"/>	<input type="checkbox"/>	<input type="checkbox"/>
Size	Series	Material	Port Design	Packing	Seat	End Connections
1/4"	48 Series	22 Carbon	F Full Port	G Grafoil	C Carbon Peek	BW Butt Weld
3/8"		33 Stainless	R Reduced	T Teflon	P Peek	S Threaded
1/2"		44 Alloy			D Delrin	SW Socket Weld
3/4"		77 Hastalloy C			M Metal Seated	F Flanged
1"		99 Duplex 2507				
1-1/4"						
1-1/2"						
2"						
2-1/2"						
3"						

# Engineering (1/4"-1")



Size: 1/4" - 1"



\* Valve can be welded in-line without disassembly as long as ball is full open

No.	Name of Parts	Materials
1	Body	CF8M
2	End Cap	CF8M
3	Gasket (Body)	TFM
4	Ball	SS 316
5	Ball Seats	PEEK + Carbon
5A	Seat Housing	SS 316
6	Bolts	TFM
7	Thrust Washer	PEEK
7A	Thrust Washer	SS 316
8	Stem	SS 316
8A	Half Split Ring	SS 316
8B	Anti-Static	TFM
9	Stem Packing	SS 316
10	Gland Washer	SS 316
11	Disk Washer	SS 316
12	Stem nut	SS 316
13	Nut Stop	SS 316
14	Space Washer	SS 316
15	Stop Pin	SS 316
16	Handle Nut	SS 316
17	Handle	SS 316
18	Handle Cover	Plastic

316 handle, stem nut, body bolts, gland bushing are available

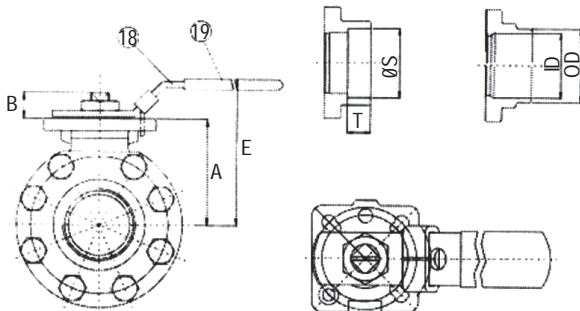
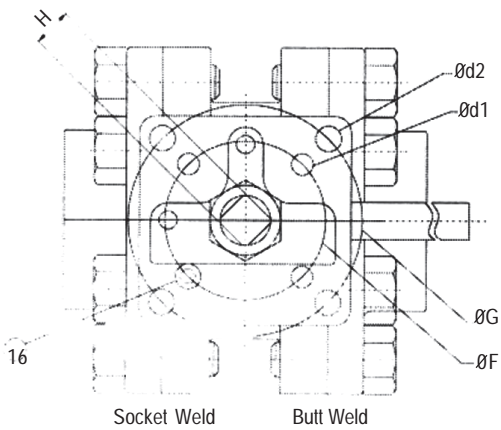
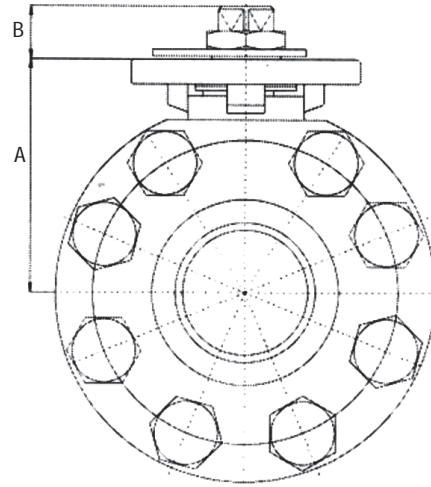
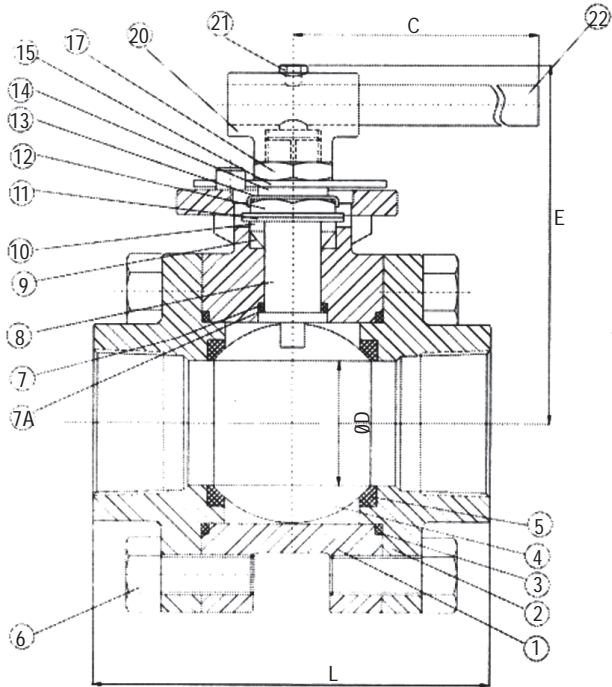
## Max. Operating Pressure

Valve Size	Max. Pressure Rating
1/4" - 1/2"	Up to 6000 psi
3/4" - 1"	Up to 5500 psi

## Dimensions

Size	A	B	C	D	D1	D2	d1	d2	H	L	SW		BW (Sch 40)		BW (Sch 80)	
											S	T	OD	ID	OD	ID
1/4"	1.77	0.43	5.12	0.43	1.42	1.65	0.24	0.28	0.35	2.64	0.56	0.44	0.55	0.35	—	—
3/8"	1.77	0.43	5.12	0.43	1.42	1.65	0.24	0.28	0.35	2.64	0.69	0.44	0.67	0.52	—	—
1/2"	1.77	0.43	5.12	0.59	1.42	1.65	0.24	0.28	0.35	2.76	0.86	0.50	0.84	0.63	0.84	0.54
3/4"	2.09	0.55	6.10	0.79	—	1.97	—	0.28	0.43	3.62	1.07	0.56	1.05	0.81	1.05	0.74
1"	2.32	0.55	6.10	0.98	—	1.97	—	0.28	0.43	4.13	1.33	0.63	1.31	1.05	1.31	0.96

# Engineering (1-1/2" - 2")



No.	Name of Parts	Materials
1	Body	CF8M
2	End Cap	CF8M
3	Gasket	TFM
4	Ball	SS 316
5	Seat	PEEK
6	Bolt	SS 304
7	Thrust Washer	TFM
7A	Thrust Washer	PEEK
8	Stem	SS 316 / 17-4PH
9	Stem Packing	TFM
10	Gland Washer	SS 304
11	Disk Washer	SS 301
12	Gland Nut	SS 304
13	Nut Stop	SS 304
14	Space Washer	SS 304
15	Stop Plate	SS 304
16	Stop Pin	SS 304
17	Stem Nut	SS 304
18	Handle	SS 304
19	Sleeve	Plastic
20	Lever Head	CF8
21	Set Bolt	SS 304
22	Lever	Steel Pipe

316 handle, stem nut, body bolts, gland bushing are available

\* Valve can be welded in-line without disassembly as long as ball is full open

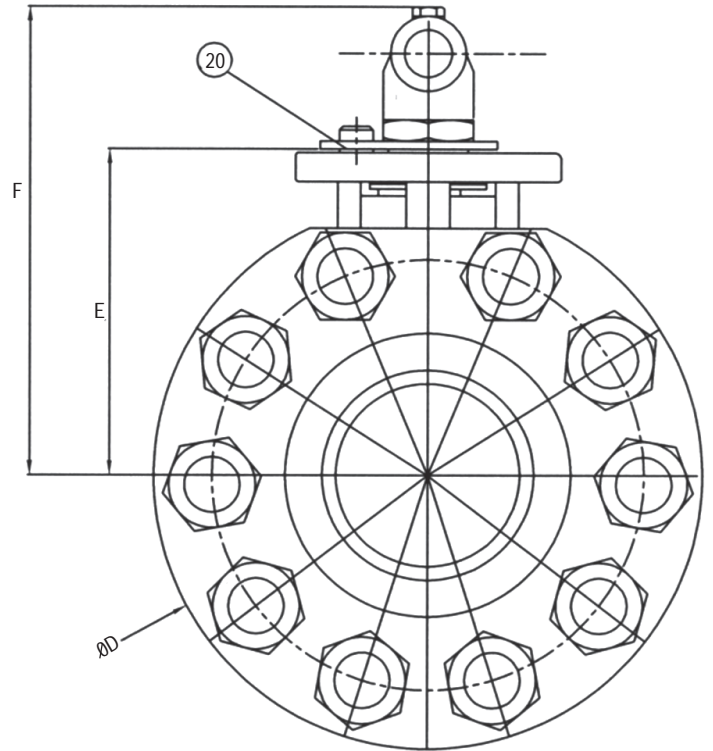
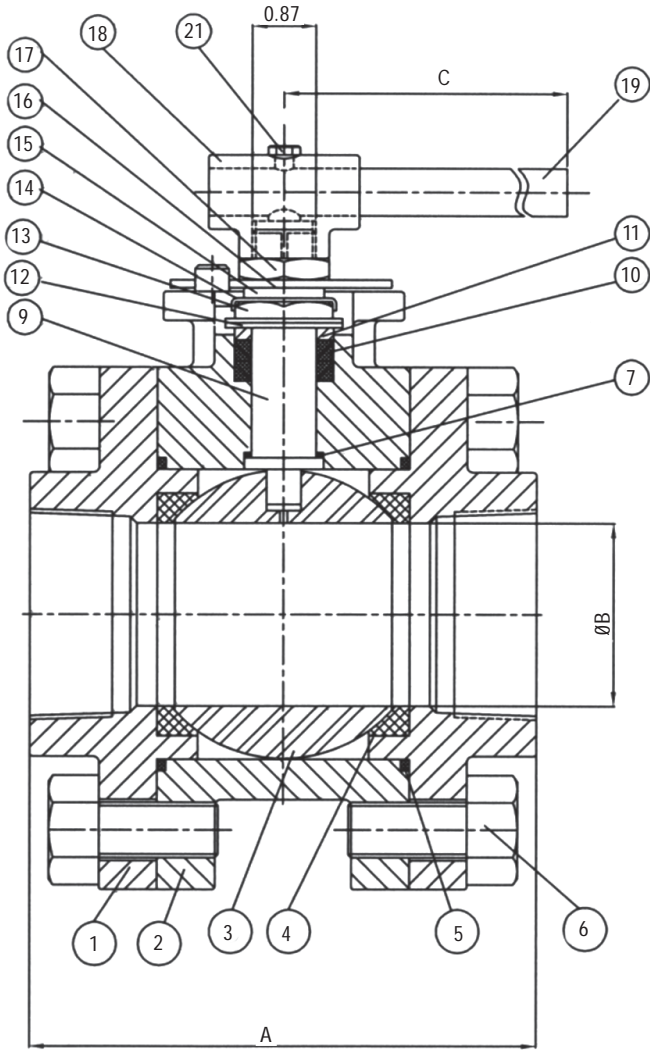
## Max. Operating Pressure

Valve Size	Max. Pressure Rating
1-1/2"	Up to 5500 psi
2"	Up to 5000 psi

## Dimensions

Size	A	B	C	D	F	G	d1	d2	H	L	SW		BW (Sch 40)		BW (Sch 80)	
											S	T	OD	ID	OD	ID
1-1/2"	3.15	0.63	8.07	1.50	1.97	2.76	0.28	0.36	0.55	5.4	1.91	0.72	1.91	1.59	1.91	1.49
2"	3.78	0.79	13.78	1.97	2.76	4.02	0.36	0.45	0.67	6.02	2.38	0.84	2.38	2.06	2.38	1.93

# Engineering (2-1/2" - 3")



No.	Name of Parts	Materials
1	End Cap	CF8M
2	Body	CF8M
3	Ball	Ss 316
4	Ball Seats	PEEK/Delrin
5	Gasket	TFE
6	Bolts	SS 304
7	Thrust Washer	PEEK
9	Stem	SS 316 / 17-4PH
10	Stem Packing	SS 304
11	Gland Washer	SS 304
12	Disk Washer	SS 301
13	Gland Nut	SS 304
14	Nut Stop	SS 304
15	Spacer Washer	SS 304
16	Stop Plate	SS 304
17	Stem Nut	SS 304
18	Lever Head	CF8
19	Lever	Steel Pipe
20	Stop Pin	SS 304
21	Set Bolt	SS 304

316 handle, stem nut, body bolts, gland bushing are available

\* Valve can be welded in-line without disassembly as long as ball is full open

## Dimensions

Size	A	B	C	D	F	E	SW	
							S	T
2-1/2"	7.09	2.5	15.75	7.48	4.33	5.91	2.91	0.87
3"	7.68	3.1	19.69	8.46	4.92	6.50	3.54	1.0