

3500 Series

Two Piece Ball Valves

Features & Benefits

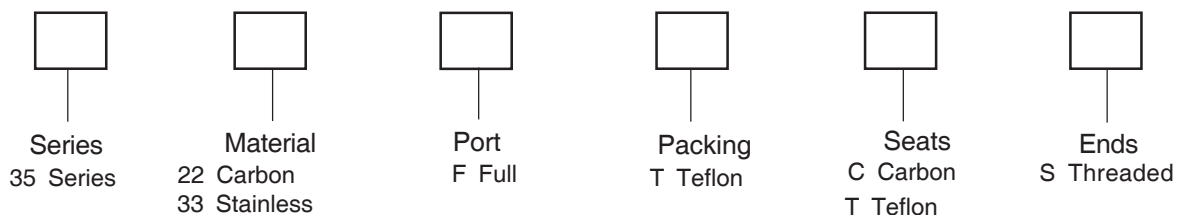
- For food and general chemical service applications
- Adjustable stem packing
- Body and end caps quality investment casting
- Available in carbon or stainless steel body construction
- Blow-out proof stem design
- Designed for easy actuator mounting, ISO mounting pad
- 100% air tested under water at 100 psi, open and closed positions
- Working pressure: 1/4" - 1" 2000 psi WOG; 1-1/4" - 2" 1500 psi; 2-1/2" - 3" 1000 psi; 4" 850 psi
- Temperature range: -51°F to +450°F
- End type: threaded
- Locking Device
- Silicone Free



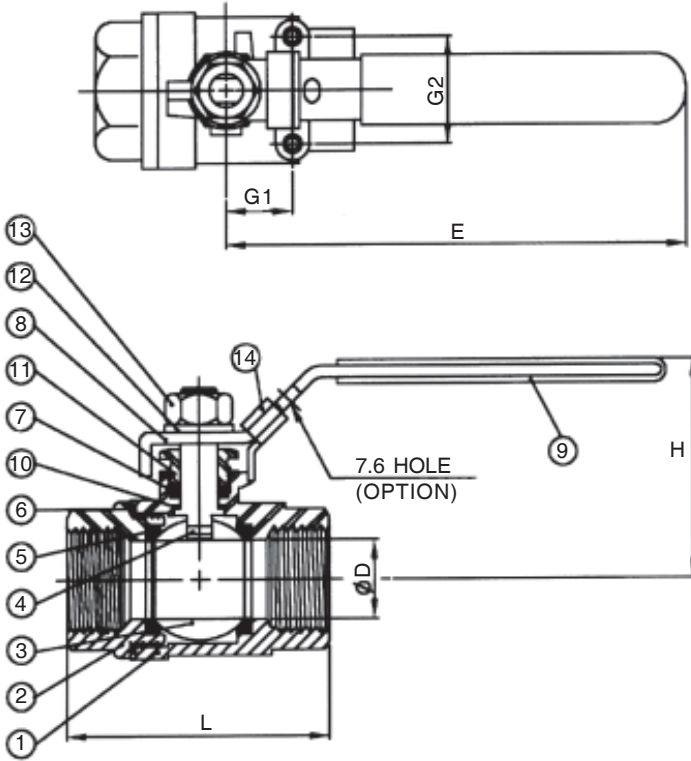
Technical Specifications

Valve Size	Operating Torque In-Lbs	Cv
1/4"	50	6.6
3/8"	50	7.9
1/2"	75	11.2
3/4"	100	21
1"	150	35
1-1/4"	225	57
1-1/2"	275	80
2"	300	150
2-1/2"	500	265
3"	750	415
4"	780	1000

Ordering Schematic



Dimensions



Material List

Materials List		
Item	Part Name	Materials
1	Body	ASTM A315 Gr. CF8M
2	End Cap	ASTM A315 Gr. CF8M
3	Ball	ASTM A315 Gr. CF8M
4	Stem	SS 316
5	Ball Seats	RPTFE 15%
6	End Seal	PTFE
7	Stem Packings	PTFE
8	Handle	SS 304
9	Handle Sleeve	Vinyl Grip
10	Thrust Washer	PTFE
11	Gland	SS 304
12	Handle Washer	SS 304
13	Handle Nut	SS 304
14	Locking Plate	SS 304

Dimensions (inches)							
Size	d	E	H	G1	G2	L	Wt
1/4"	0.456	3.74	2.08	0.50	1.12	2.38	0.72
3/8"	0.499	3.74	2.08	0.50	1.12	2.38	0.72
1/2"	0.590	3.74	2.08	0.50	1.12	2.46	0.75
3/4"	0.787	4.33	2.36	0.87	1.37	3.03	1.32
1"	1.000	5.31	2.91	0.87	1.37	3.54	2.64
1-1/4"	1.259	5.31	3.93	0.93	1.50	3.93	3.46
1-1/2"	1.50	6.49	4.64	0.93	1.50	4.64	5.00
2"	2.00	6.49	5.43	0.93	1.50	5.43	8.10
2-1/2"	2.55	8.46	6.57	1.38	2.16	6.57	15.65
3"	3.149	8.46	7.60	1.38	2.16	7.59	25.75
4"	4.00	12.79	10.23	1.97	2.44	10.23	50.70

Temperature Chart

