



LEAD FREE

BOLOMI

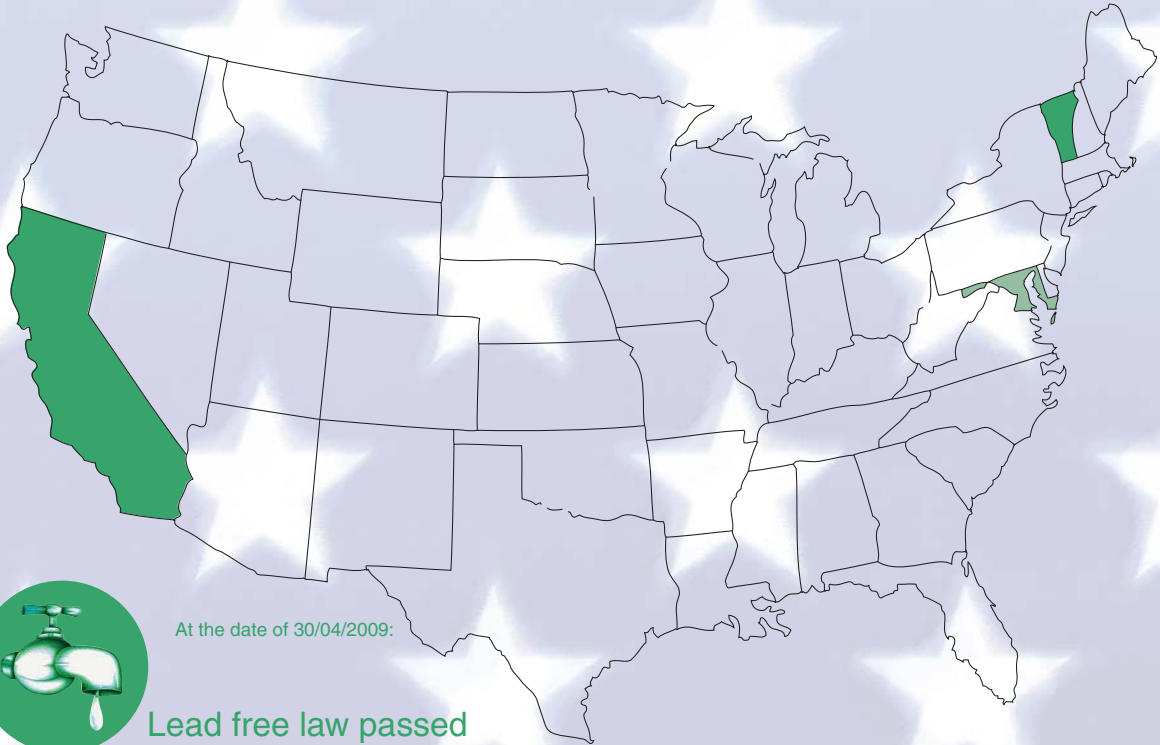
USA, INC.





ВОДОМІ

USA, INC.



At the date of 30/04/2009:

Lead free law passed



Law suggested



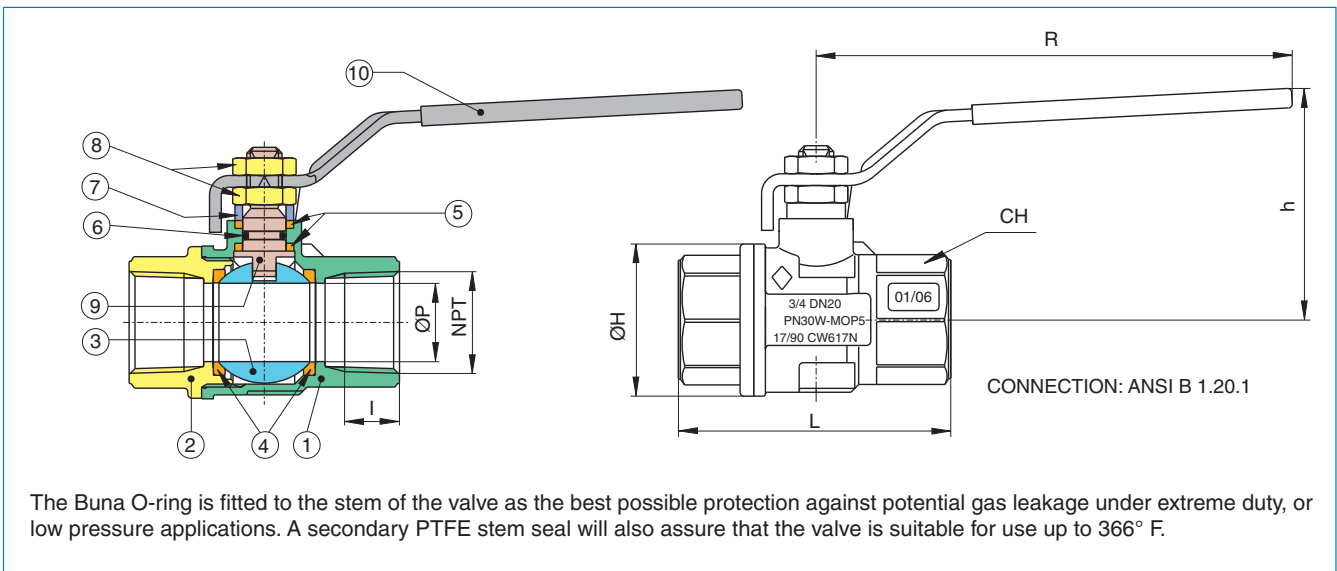
SERIES 171N LF COMMERCIAL STYLE



Acc. to
NSF 61
Up to 2"

Brass ball valve, female/female, full port sizes 1/4" to 2", steel handle, green grip.

- Pressure rating 600 WOG - 150 WSP.
- Temperature to 366°F.
- Blow out proof stem, chrome plated brass ball.
- P.T.F.E. seats, seals, and thrust washer.
- Adjustable stem packing.
- 100% electronically tested in the open and closed position at 80 psi
- We recommend the valve use in fully open or closed, not in mid position, and to maneuver the valve at least twice a year.

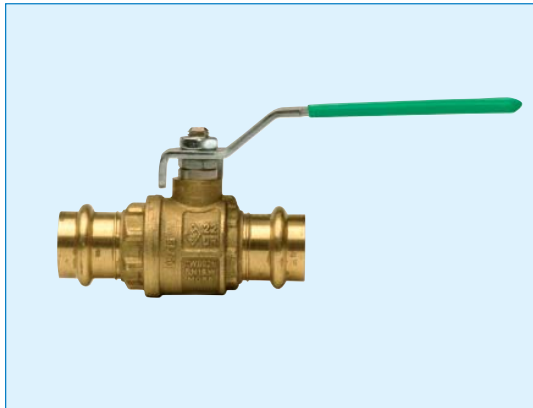


The Buna O-ring is fitted to the stem of the valve as the best possible protection against potential gas leakage under extreme duty, or low pressure applications. A secondary PTFE stem seal will also assure that the valve is suitable for use up to 366° F.

N Pos	PART NAME	MATERIAL	N PCS
1	BODY	LOW LEAD BRASS *	1
2	END CONNECTION	LOW LEAD BRASS *	1
3	BALL	LOW LEAD BRASS *	1
4	BALL SEAT	P.T.F.E	2
5	THRUST WASHER/STEM SEAT	P.T.F.E	2
6	O-RING	NBR	1
7	PACKING GLAND	BRASS CW 614N UNI EN 12164	1
8	NUT	Steel 6S	2
9	STEM	LOW LEAD BRASS	1
10	HANDLE	Fe DD11 UNI EN 10111	1

SIZE	ØP	I	L	ØH	CH	R	h	CV	psi	Lbs
1/4"	0.39	0.39	2.02	0.90	0.78	3.86	1.65	6.29	600	0.33
3/8"	0.39	0.39	2.02	0.90	0.78	3.86	1.65	6.99	600	0.30
1/2"	0.59	0.53	2.44	1.25	0.98	3.86	1.81	19.00	600	0.48
3/4"	0.79	0.55	2.71	1.53	1.22	4.80	2.28	34.40	600	0.79
1"	0.98	0.66	3.07	1.92	1.49	4.80	2.44	50.10	600	1.22
1"1/4	1.26	0.68	3.42	2.32	1.88	6.02	3.00	103.70	600	2.14
1"1/2	1.57	0.68	3.89	2.87	2.12	6.02	3.23	268.40	600	3.20
2"	1.95	0.69	4.33	3.38	2.63	6.38	3.74	309.20	600	4.08

* Alloy in testing



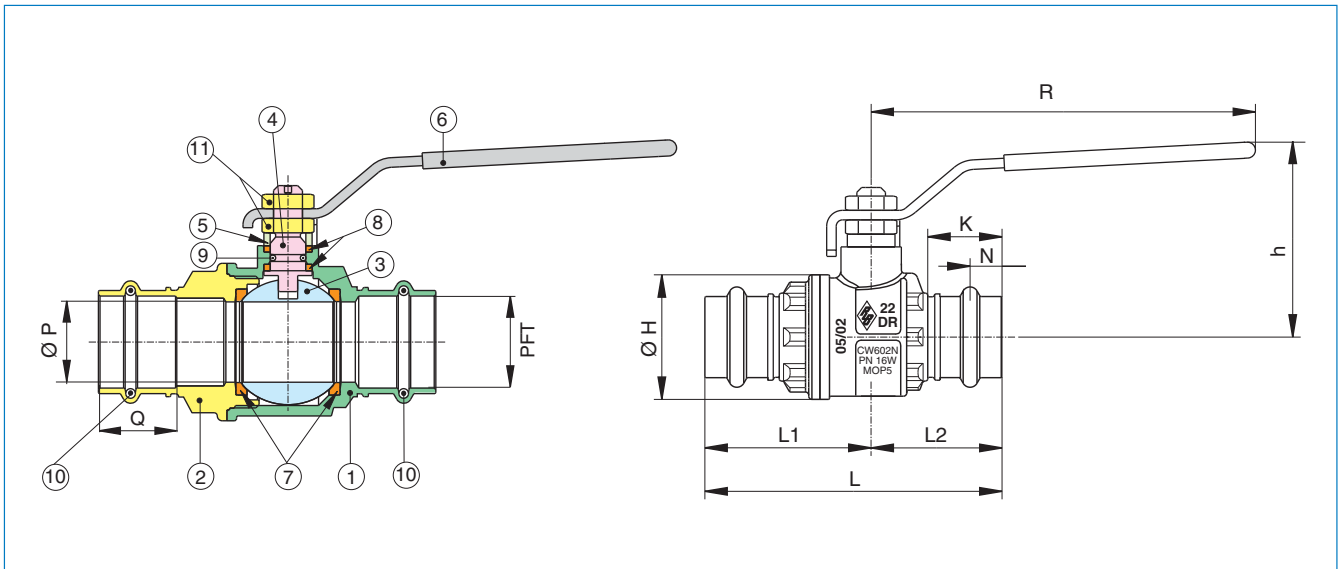
SERIES 1970 LF FOR WATER SERVICE

Full port ball valve with EURO-PRESS connections from 1/2" - 2", steel handle, green grip.

- Test pressure rating 600 WOG.
- Temperature to 250° F.
- Blow out proof stem, chrome plated brass ball.
- P.T.F.E. seats, seals, and thrust washer.
- Adjustable stem packing.
- 100% electronically tested in the open and closed position at 80 psi.
- We recommend the valve use in fully open or closed, not in mid position, and to maneuver the valve at least twice a year.



Acc. to
NSF 61
Up to 2"



N Pos	PART NAME	MATERIAL	N PCS
1	BODY	LOW LEAD BRASS *	1
2	END CONNECTION	LOW LEAD BRASS *	1
3	BALL	LOW LEAD BRASS *	1
4	STEM	LOW LEAD BRASS *	1
5	PACKING GLAND	BRASS CW 614N	1
6	HANDLE	STEEL DD11	1
7	BALL SEAT	P.T.F.E.	2
8	STEM SEAL/THRUST WASHER	P.T.F.E.	2
9	O-RING	NBR	1
10	O-RING	EPDM	2
11	NUT	STEEL CL 04	2

PFT	ØP	Q	K	N	ØH	L	L1	L2	h	R	CV	psi MAX. WORK PRESS	psi MAX. TEST PRESS	Lbs
1/2"	0.59	0.71	0.67	0.31	1.30	3.13	1.71	1.42	1.89	3.86	18.84	200	600	0.49
3/4"	0.79	0.91	0.83	0.39	1.54	3.66	2.05	1.61	2.28	4.80	34.10	200	600	0.82
1"	0.98	0.94	0.83	0.39	1.93	4.13	2.32	1.81	2.44	4.80	49.71	200	600	1.25
1 1/4"	1.26	1.02	0.83	0.39	2.32	4.41	2.44	1.97	3.07	6.02	102.88	200	600	1.98
1 1/2"	1.57	1.42	1.02	0.49	2.87	5.63	2.91	2.72	3.35	6.02	265.88	200	600	3.40
2"	1.95	1.57	1.20	0.59	3.39	6.52	3.41	3.11	3.80	6.38	306.34	200	600	4.50

* Alloy in testing





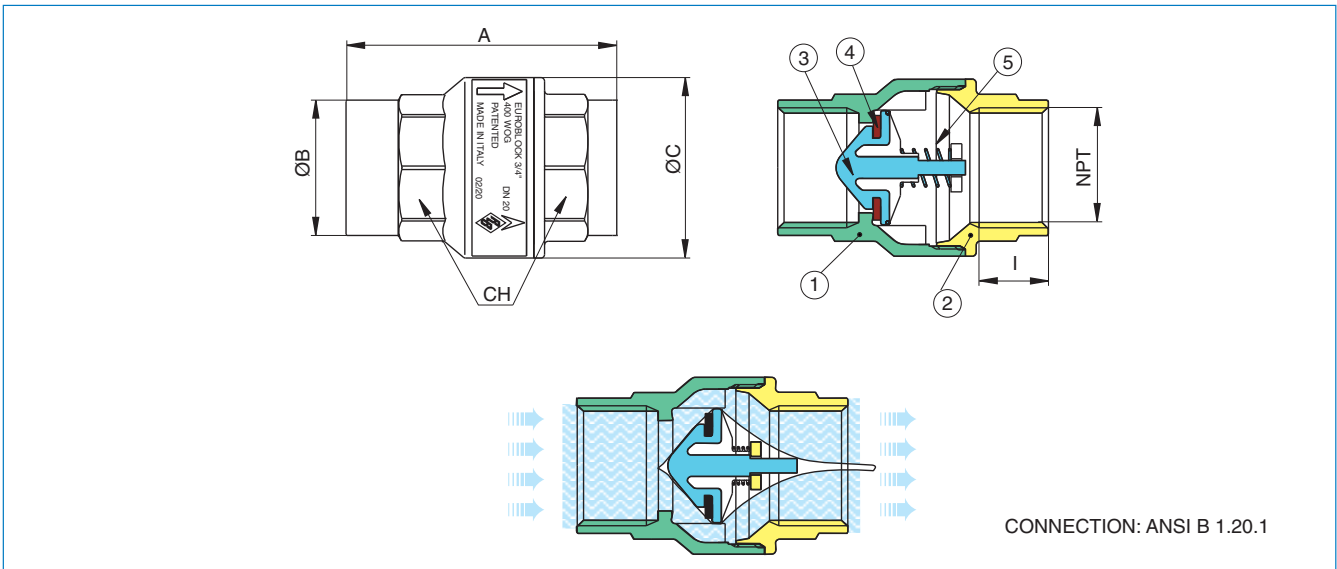
SERIES 100002 LF IN-LINE CHECK VALVE



Acc. to
NSF 61

- High capacity, size 1/4"-2" 400 WOG.
- Soft seat for bubble tight shutoff, spring loaded for fast seating action.
- Low cracking pressure 1/2 psi.
- Flow profile designed to minimize head loss easy design.
- Perfect sealing both at high and low pressure wide temperature range: +10° to 210°F.
- High technology materials to ensure best resistance in any condition.
- Patented disc guide.
- Connection: female - female.

PATENTED



N Pos	PART NAME	MATERIAL	N PCS
1	BODY	LOW LEAD BRASS *	1
2	END CONNECTION	LOW LEAD BRASS *	1
3	OBSTRUCTOR	POLYETHERIMIDE	1
4	SEAT	100002 NBR	1
5	SPRING	STAINLESS STEEL	1

SIZE	A	ØB	ØC	I	CH	CV	psi	Lbs
1/4"	1.73	0.79	1.06	0.39	0.79	4.55	400	0.22
3/8"	1.73	0.79	1.06	0.40	0.79	4.55	400	0.37
1/2"	2.32	0.98	1.35	0.53	0.98	6.00	400	0.32
3/4"	2.56	1.20	1.65	0.55	1.22	11.00	400	0.49
1"	2.76	1.48	1.93	0.66	1.50	16.90	400	0.68
1"1/4	2.93	1.87	2.40	0.68	1.89	27.40	400	1.13
1"1/2	3.17	2.10	2.87	0.68	2.12	39.10	400	1.61
2"	3.37	2.68	3.46	0.69	2.64	60.70	400	2.28

* Alloy in testing



SERIES 100602 LF IN-LINE CHECK-PRESS VALVE

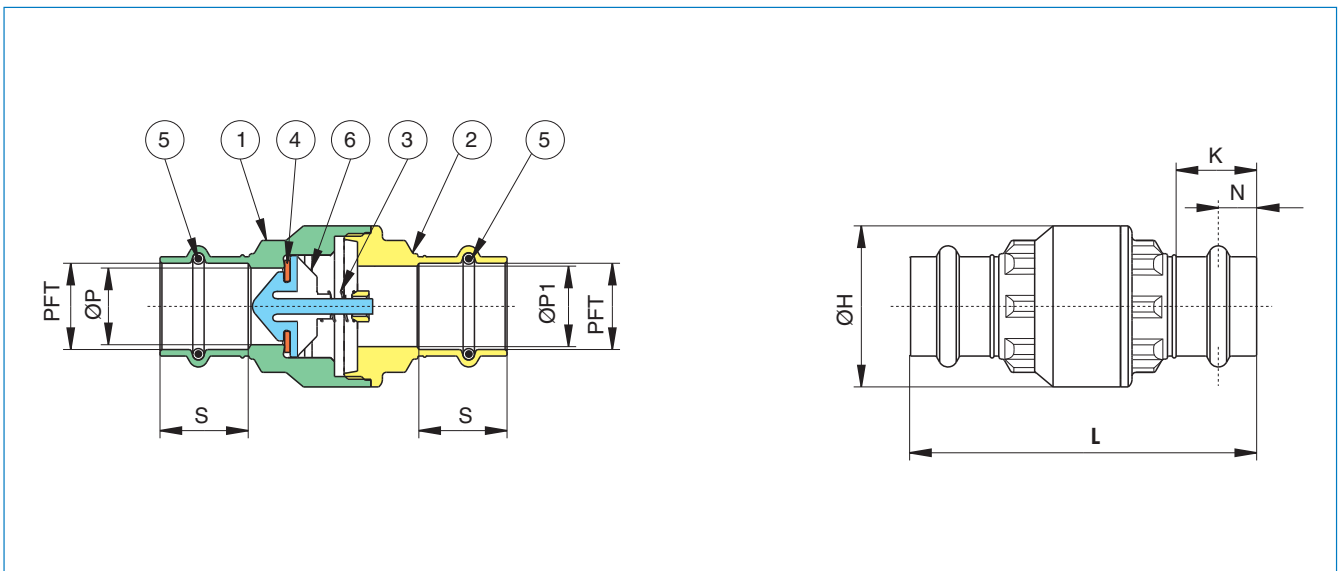


Acc. to
NSF 61

High capacity, size 1/2" - 2" 200 WOG.

- Soft seat for bubble tight shutoff, spring loaded for fast seating action.
- Low cracking pressure 1/2 psi.
- Flow profile designed to minimize head loss easy design.
- Perfect sealing both at high and low pressure wide temperature range: +10° to 250° F.
- High technology materials to ensure the best corrosion resistance for any water application.
- Patented disc guide to prevent side loading.
- Press system for easy assembled on pipe.

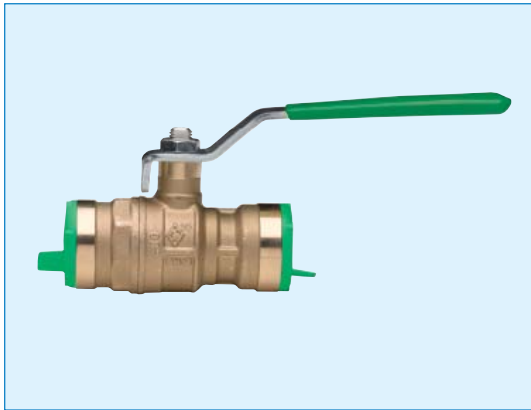
PATENTED



N Pos	PART NAME	MATERIAL	N PCS	SIZE	ØP	ØP1	S	K	N	ØH	L	CV	psi (Rated maximum working pressure)	psi (Rated maximum test pressure)	Lbs
1	BODY	LOW LEAD BRASS *	1	1/2"	0.59	0.59	0.71	0.67	0.31	1.36	2.99	6.01	200	400	0.34
2	END CONNECTION	LOW LEAD BRASS *	1	3/4"	0.79	0.83	0.91	0.83	0.39	1.65	3.56	10.87	200	400	0.56
3	SPRING	STAINLESS STEEL AISI 302	1	1"	0.98	1.07	0.94	0.83	0.39	1.93	3.94	16.76	200	400	0.85
4	GASKET RING	NBR	1	1"1/4	1.26	1.34	1.02	0.83	0.39	2.40	4.09	27.17	200	400	1.19
5	O-RING	EPDM	2	1"1/2	1.57	1.57	1.42	1.02	0.49	2.87	4.98	38.73	200	400	1.92
6	OBSTRUCTOR	POLYETHERIMIDE	1	2"	1.97	1.97	1.57	1.20	0.59	3.46	5.61	60.11	200	400	2.86

* Alloy in testing





SERIES 559000 LF EASY-PUSH

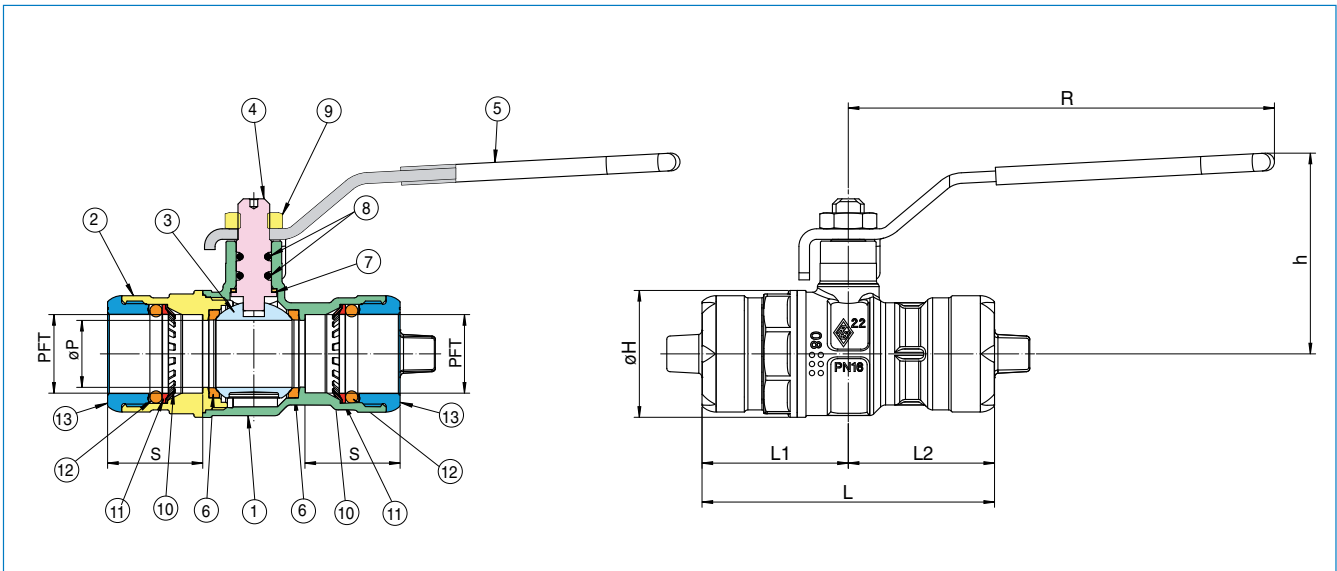


Acc. to
NSF 61

Full port ball valve with EASY-PUSH connections 1/2" - 3/4" - 1", steel handle, green grip.

- 600 WOG body, rated at 200 PSI.
- Temperature to 250° F.
- Blow out proof stem, chrome plated brass ball.
- P.T.F.E. seats and double O-ring stem packing.
- 100% electronically tested in the open and closed position at 80 PSI.
- The valve is fully reusable.
- We recommend the valve use in fully open or closed, not in mid position, and to maneuver the valve at least twice a year.

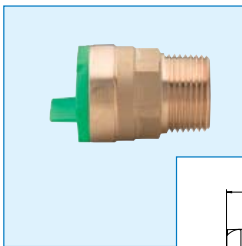
PATENTED



N Pos	PART NAME	MATERIAL	N PCS
1	BODY	LOW LEAD BRASS *	1
2	END CONNECTION	LOW LEAD BRASS *	1
3	BALL	LOW LEAD BRASS *	1
4	STEM	LOW LEAD BRASS *	1
5	HANDLE	STEEL DD11	1
6	BALL SEAT	P.T.F.E.	2
7	THRUST WASHER	P.T.F.E.	1
8	O-RING	NBR	2
9	NUT	STEEL CL 04	1
10	GRIP	STAINLESS STEEL AISI 304	2
11	BUSH	POM	2
12	O-RING	EPDM PEROX	2
13	RING NUT	PP	2

PFT	ØP	S	ØØ	L	L1	L2	H	R	CV	PSI	Lbs
1/2"	0.55	0.91	1.18	2.72	1.36	1.36	1.81	3.78	18.84	200	0.43
3/4"	0.75	1.06	1.42	3.27	1.63	1.63	2.24	4.76	34.10	200	0.74
1"	0.94	1.22	1.71	3.86	1.93	1.93	2.32	4.76	49.71	200	1.07

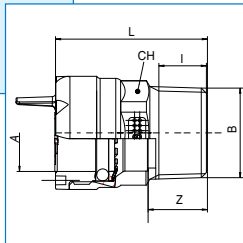
* Alloy in testing



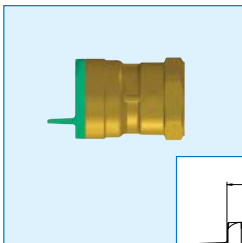
Art. 550000 LF

Straight male fitting.

PATENTED



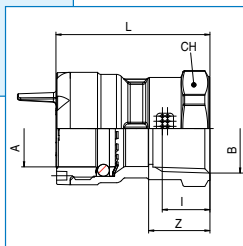
A x B	CODE	I	L	CH	Z
1/2" x 1/2"	5500000404	0.53	1.57	0.87	0.66
3/4" x 3/4"	5500000505	0.60	1.74	1.10	0.68
1" x 1"	5500000606	0.68	2.05	1.38	0.82



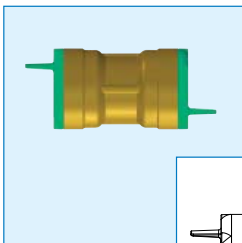
Art. 550100 LF

Straight female fitting.

PATENTED



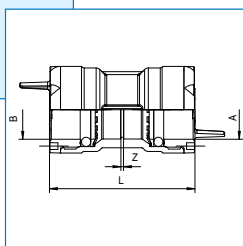
A x B	CODE	I	L	CH	Z
1/2" x 1/2"	5501000404	0.53	1.60	1.02	0.69
3/4" x 3/4"	5501000505	0.55	45.20	1.22	0.71
1" x 1"	5501000606	0.66	53.20	1.50	0.87



Art. 550200 LF

Straight double fitting.

PATENTED



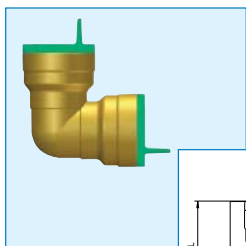
A x B	CODE	L	Z
1/2" x 1/2"	55020004	1.87	0.04
3/4" x 3/4"	55020005	2.18	0.04
1" x 1"	55020006	2.50	0.04

Art. 550300 LF

Straight reduced double fitting.

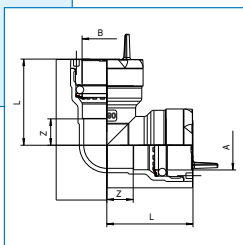
PATENTED

A x B	CODE	L	Z
3/4" x 1/2"	5503000504	2.10	0.12
1" x 3/4"	5503000605	2.42	0.12



Art. 551200 LF

Elbow double.
PATENTED

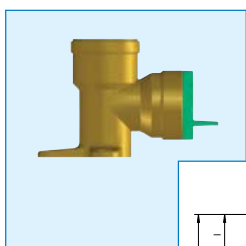


A x B	CODE	L	Z
1/2" x 1/2"	55120004	1.27	0.35
3/4" x 3/4"	55120005	1.54	0.47
1" x 1"	55120006	1.84	0.61

Art. 551900 LF

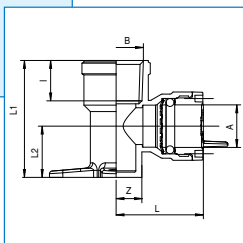
Elbow reduced double.
PATENTED

A x B	CODE	L	L1	Z	Z1
3/4" x 1/2"	5519000504	1.44	1.39	0.37	0.47

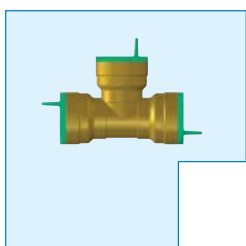


Art. 552000 LF

wallplate elbow female.
PATENTED

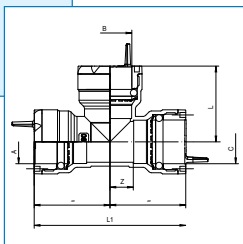


A x B	CODE	I	L	L1	L2	Z
1/2" x 1/2"	5520000404	0.61	1.31	1.75	0.77	0.39

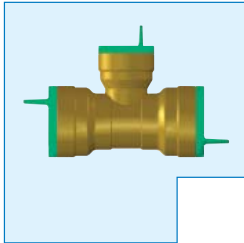


Art. 553200 LF

"TEE"
PATENTED



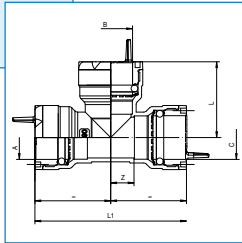
A x B x C	CODE	L	L1	Z
1/2" x 1/2" x 1/2"	55320004	2.20	1.10	0.35
3/4" x 3/4" x 3/4"	55320005	3.07	1.54	0.47
1" x 1" x 1"	55320006	3.19	1.59	0.61



Art. 553300 LF

"TEE" reduced in center position.

PATENTED



A x B x C	CODE	L	L1	Z	Z1
3/4" x 3/4" x 1/2"	553300050504	1.38	2.83	0.35	0.47
1" x 1" x 3/4"	553300060605	1.52	2.91	0.47	0.61

Art. 553400 LF

"TEE" reduced in lateral position.

PATENTED

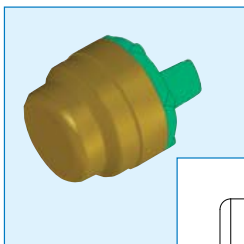
A x B x C	CODE	Z	Z1	L	L1	L2	L3
3/4" x 1/2" x 3/4"	553400050405	0.47	0.55	1.54	2.99	1.46	1.54

Art. 553500 LF

"TEE" widening in lateral position.

PATENTED

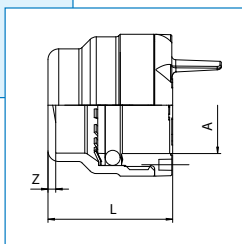
A x B x C	CODE	Z	Z1	L	L1	L2	L3
3/4" x 1/2" x 1/2"	553500050404	0.39	0.35	1.26	2.72	1.26	1.46



Art. 555300 LF

Tube cap.

PATENTED



A x B	CODE	L	Z
1/2"	55530004	0.98	0.07
3/4"	55530005	1.14	0.07
1"	55530006	1.31	0.08



BONOMI U.S.A. Inc.
128 Rental Court - Rock Hill, SC 29732 - U.S.A.
Phone 803-324-9738 - 803-324-9867 - Fax 803-325-1542
www.bonomiusa.com - sales@bonomiusa.com N.097

© BONOMI U.S.A. Inc - 2009 - All rights reserved **BONOMI** USA, INC.  are registered trademarks.

To ensure the quality and technical standards at the highest level, the manufacturer reserves the right to alter the specifications without notice.